

MAX-FLOW

Electric Machinery CO., LTD.



MAX FLOW

Fan Manufacturer of Taiwan

MF 8030



SIZE : 80X80X30mm(3.15”X3.15”X1.18”)

CONSTRUCTION :

Glass fiber reinforced plastic :

Impeller and housing PBT are UL 94V-0 rating

OPERATING TEMPERATURE :

Sleeve bearing -10c to +70c

INSTULOATION RESISTANCE :

10 meg Ohm min. at 500VDC(between frame and terminal)

DIELECTRIC STRENGTH :

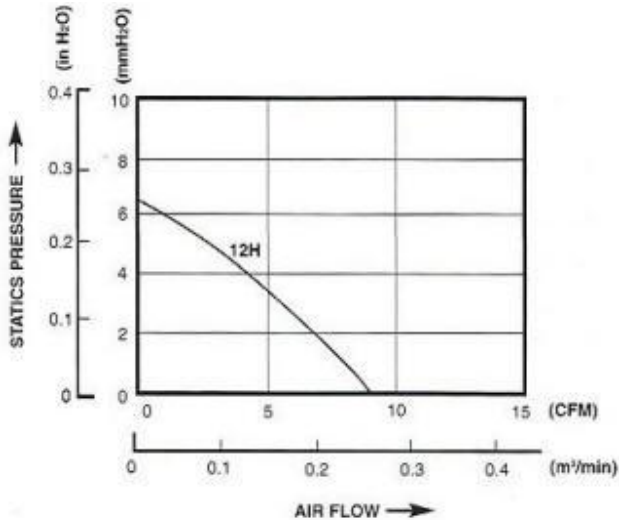
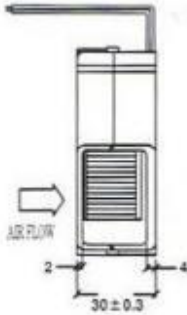
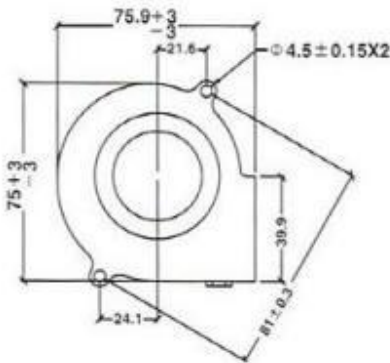
5 mA max. at 500 VAC 60Hz one minute(between frame and terminal)

FUNCTION : frequency generator or rotation detection signal option

WEIGHT : 95 grams

80 x 80 x 30 mm

MODEL NO.	BEARING	VOLTAGE	VOLTAGE RANGE	CURRENT	INPUT POWER	SPEED	MAX.AIR FLOW		MAX.AIR PRESSURE		NOISE
		(VDC)	(V)	(A)	(W)	(R.P.M)	m ³ /min	CFM	mmH ₂ O	IN H ₂ O	dB-A
MF8030D1HB	Ball	12	10.2-13.8	0.20	2.40	2600	0.253	8.94	6.33	0.249	35
MF8030D1HS	Sleeve	12	10.2-13.8	0.20	2.40	2600	0.253	8.94	6.33	0.249	35



※Reference only Specifications