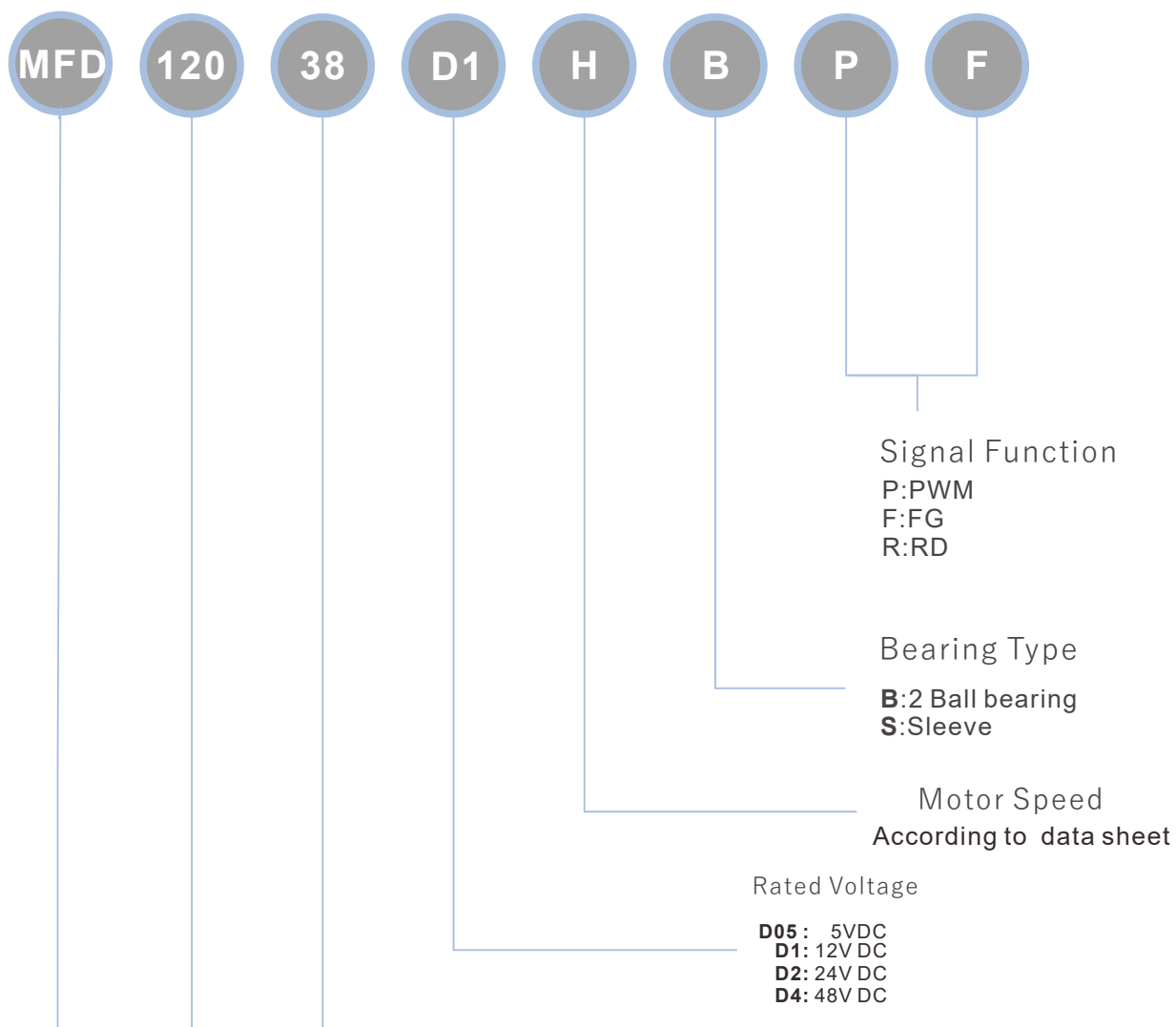


DC BLOWER PRODUCT GUIDE

Max-Flow Electric Machinery Co., Ltd.

DC BLOWER Part Number Code

※Example :Part No.MFD12038D2-HBPF



Frame	size	Frame	size	Thick	Size	Thick	Size
15	15*15mm	92	92*92mm	4	4mm	50	50mm
18	18*18mm	100	Ø100mm	5	5mm	51	51mm
20	20*20mm	110	Ø110mm	6	6mm	59	59mm
25	25*25mm	120	120*120mm	7	7mm	60	60mm
30	30*30mm	140	140*140mm	10	10mm	80	80mm
40	40*40mm	150	150*150mm	15	15mm		
50	50*50mm	172	172*172mm	20	20mm		
60	60*60mm	200	200*200mm	25	25mm		
70	70*70mm	220	Ø220mm	38	38mm		
80	80*80mm	Ø250	Ø250mm	40	40mm		

Product Series

- MFD: DC FAN
- MFB: DC BLOWER
- MFL: DC CENTRIFUGE
- MFE: EC FAN

Motor function introduction

FG (Tach output type) Connection Diagram

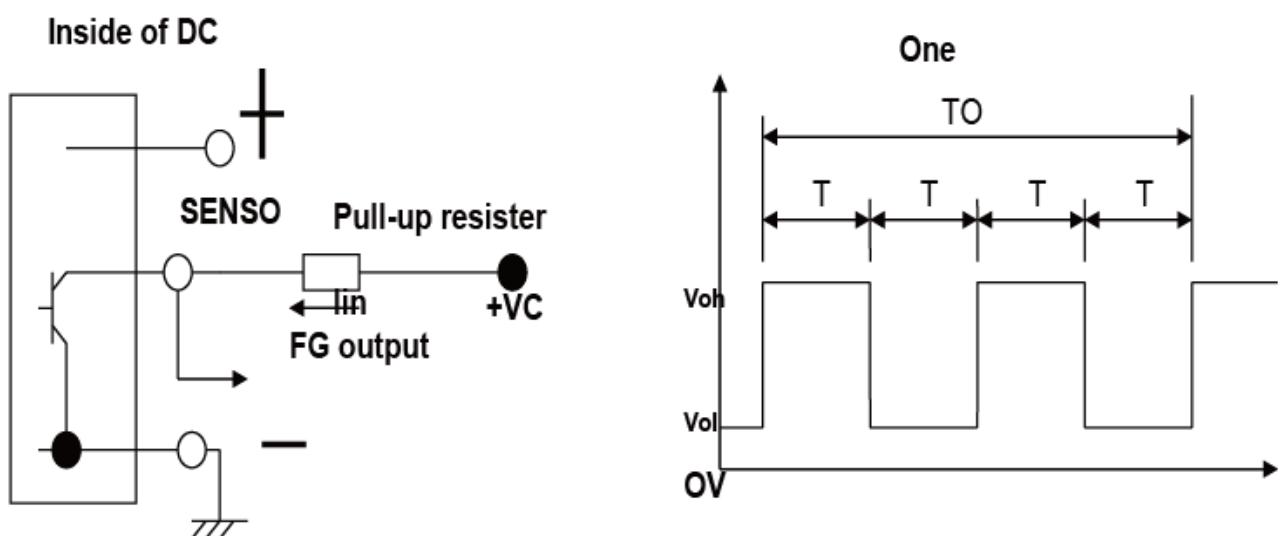
Fan with FG function will create a square wave output.

You can know fan speed by sensing the output wave Frequency.

Most dc fan have four pole. So when fan run for one round, there will be two high level pulse. About other Multipole brushless fan, high level pulse will be different.

But please notice if you want to sense it's output wave, there is a external circuit. Please check the circuit Diagram below.

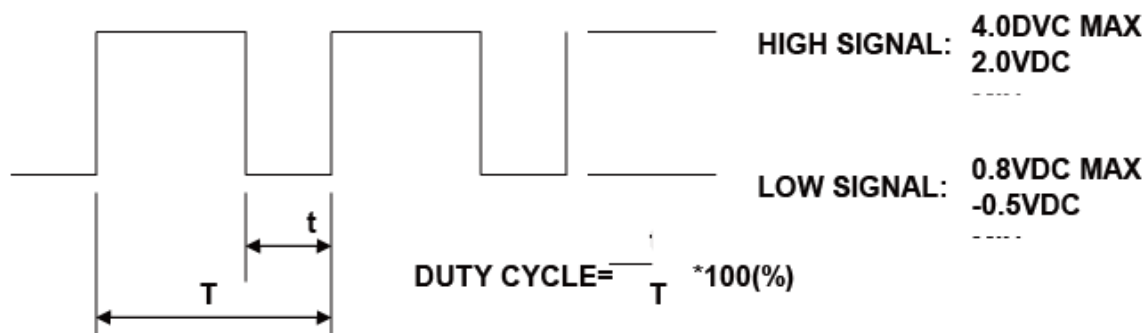
There is no pull-up and VCC value limit. But please notice the Max I_{in} have to be small than 20mA.



Motor function introduction

PWM CONTROL SIGNAL

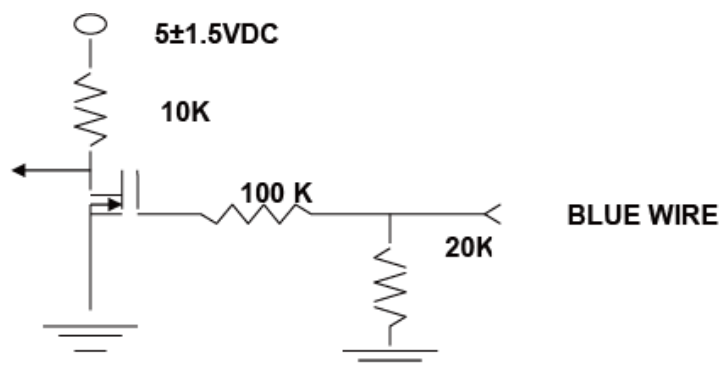
SIGNAL VOLTAGE RANGE: -0.5~+4.0VDC



THE FREQUENCY FOR CONTROL SIGNAL OF THE FAN SHALL BE ABLE TO ACCEPT 16K~32 KHZ.

- < THE PREFERRED OPERATING POINT FOR THE FAN IS 25K HZ.
- < AT 100% DUTY CYCLE, THE ROTOR WILL SPIN AT MAXIMUM SPEED.
- < AT 0% DUTY CYCLE, THE ROTOR WILL STOP.
- < WHEN CONTROL SIGNAL LEAD DISCONNECTED, THE FAN WILL MAXIMUM SPEED.
- < AT 25K 3%~5% DUTY CYCLE, THE FAN WILL BE ABLE TO START FROM A DEAD STOP.
- < THE FAN SPEED CONTROL IS CLOSED-LOOP.

PWM CONTROL LEAD WIRE INPUT IMPEDANCE:



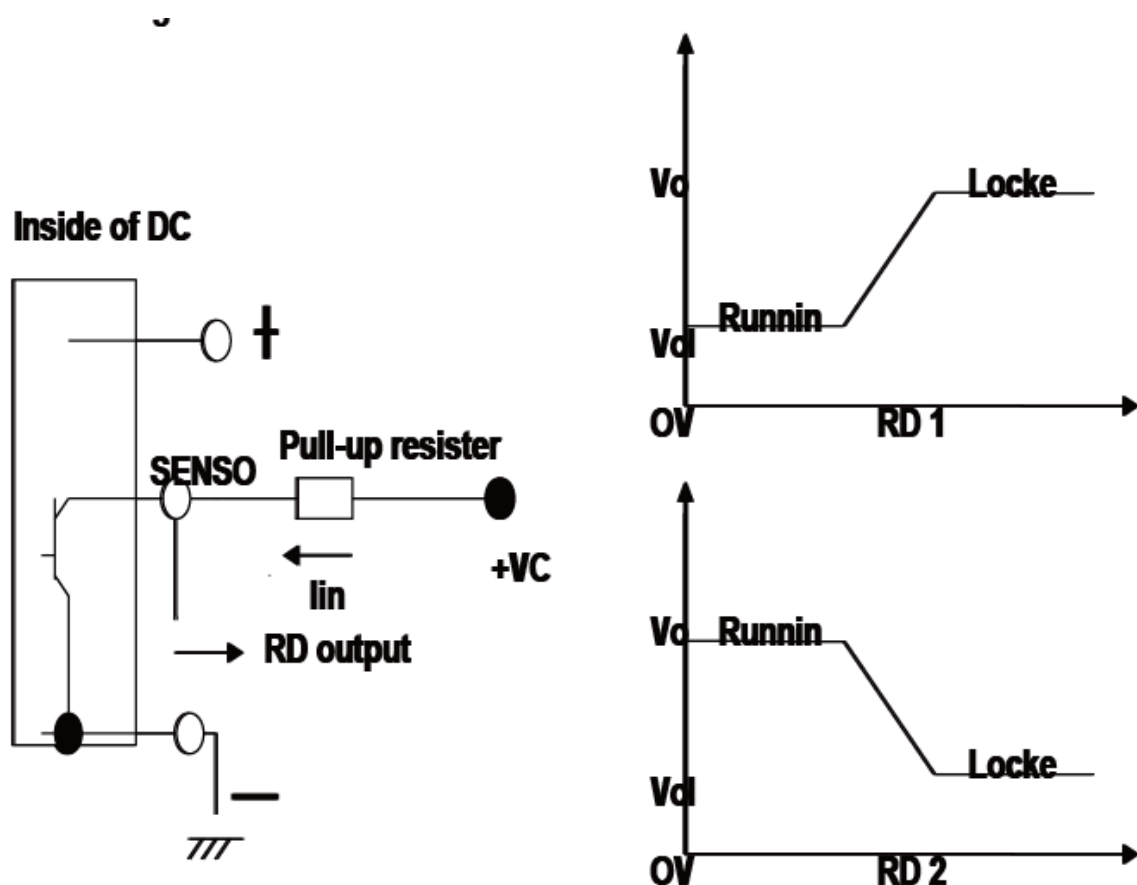
1. THE FAN SPEED WILL DEFAULT TO MAXIMUM WHEN THE SPEED CONTROL INPUT IS LEFT UNCON
2. ABSOLUTELY NO INTERNAL PULL-UP.NECTED.

Motor function introduction

RD (Alarm output) connection Diagram

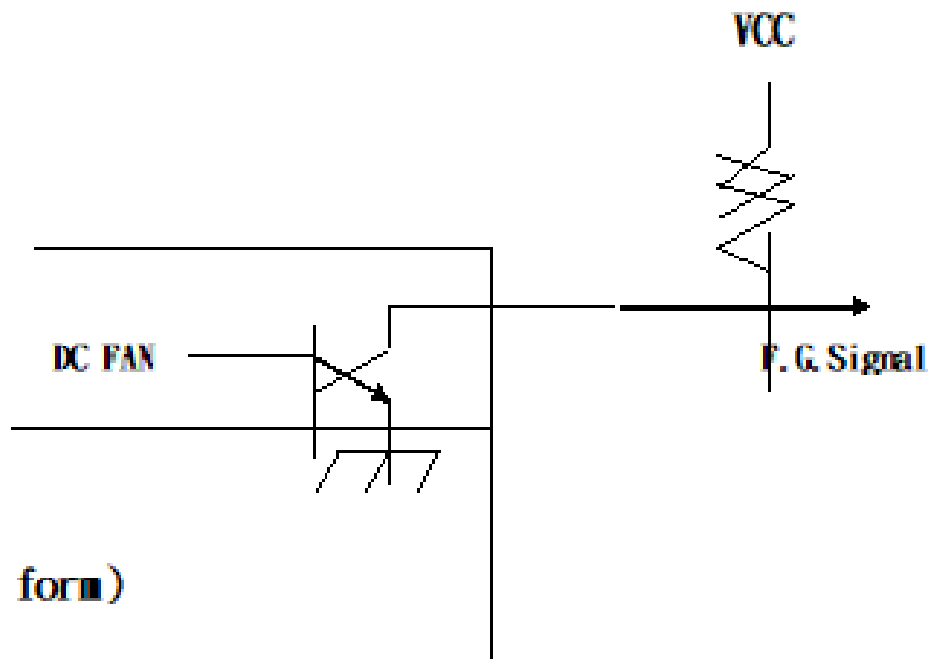
Some fan have RD extra function. There is a alarm signal output when fan stop work.

Please notice there are Two kinds of signal output. Different ustomer will need different alarm type. Please check the diagram below.

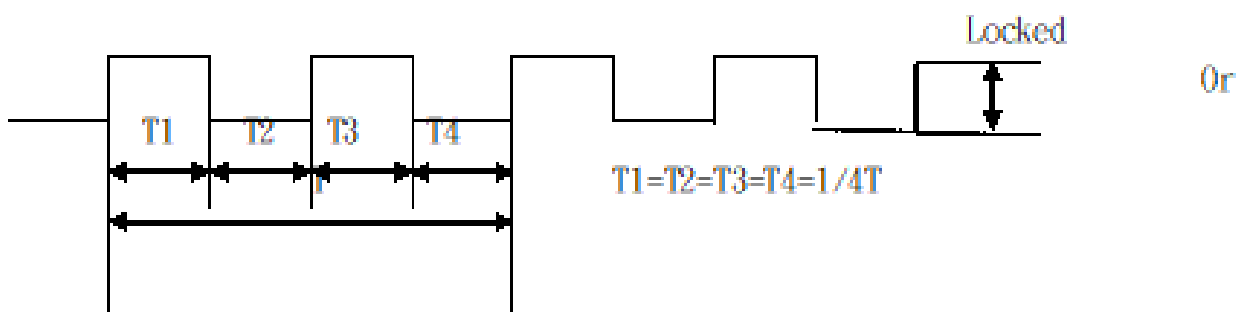


Motor function introduction

Frequency test mode



波形 (Wave form)



Or

MFB2006



Size : 20 x 20 x 6mm

Bearing system: SLEEVE

Frame: plastic PBT UL94V-0

Impeller: plastic PBT UL94V-0

Operating Temp :

Sleeve: -10 ~ 70°C

Life Expectancy

SLEEVE : 25,000 hours at 25°C

Weight: 6 g

Bearing system

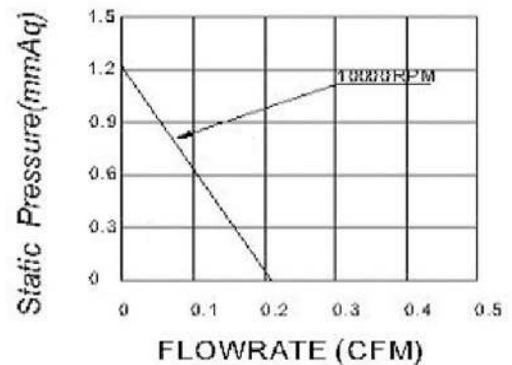
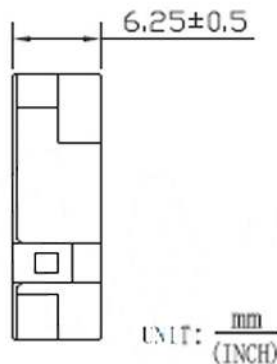
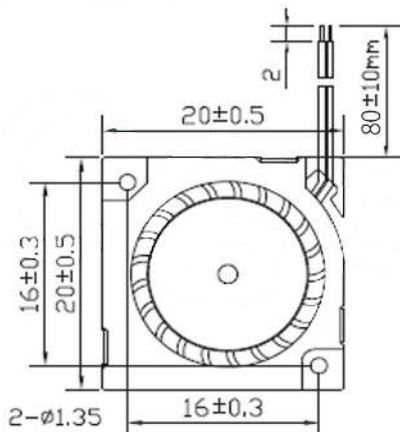
BALL	SLEEVE
	●

Available Functions

FG	PWM	RD	LD
●	●	●	●

MODEL	Rated Voltage	Operating Voltage Range	Rated Current	Rated Input Power	Speed	Maximun Air Flow	Maximun Air Pressure	Noise
PART NO.	VDC	VDC	Amp	Watt	R.P.M	CFM	mmH2O	DB-A
MFB2006D05-M	5	3 ~ 6	0.08	0.4	10000	0.21	1.21	<18
MFB2006D12-M	12	7.5 ~ 135.5	0.04	0.48	10000	0.21	1.21	<18

DIMENSIONS DRAWING & P&Q CURVE



MFB3007



Size : 30 x 30 x 7 mm
 Bearing system: SLEEVE
 Frame: plastic PBT UL94V-0
 Impeller: plastic PBT UL94V-0
 Operating Temp :
 Sleeve: -10 ~ 70°C
 Life Expectancy
 SLEEVE : 25,000 hours at 25°C
 Weight: 9 g

Bearing system

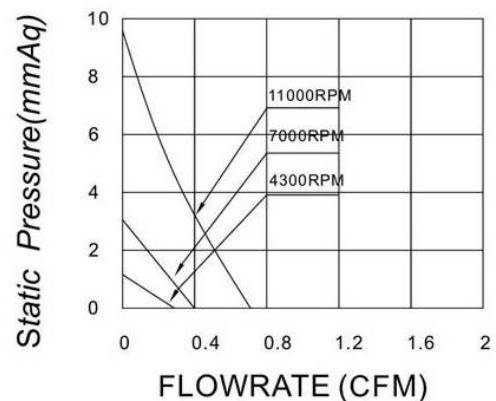
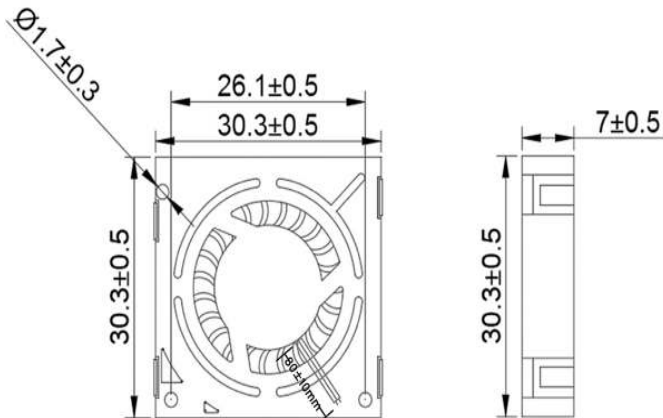
BALL	SLEEVE
	●

Available Functions

FG	PWM	RD	LD
●	●	●	●

MODEL	Rated Voltage	Operating Voltage Range	Rated Current	Rated Input Power	Speed	Maximun Air Flow	Maximun Air Pressure	Noise
PART NO.	VDC	VDC	Amp	Watt	R.P.M	CFM	mmH2O	DB-A
MFB3007D05-L	5	3 ~ 6	0.06	0.3	5000	0.84	4.08	23.9
MFB3007D05-M	5	3 ~ 6	0.08	0.4	6000	1.11	5.92	27.2
MFB3007D05-H	5	3 ~ 6	0.16	0.8	7500	1.39	9.84	32.3
MFB3007D1-L	5	3 ~ 6	0.03	0.3	5000	0.84	4.08	23.9
MFB3007D1-M	5	3 ~ 6	0.03	0.4	6000	1.11	5.92	27.2
MFB3007D1-H	5	3 ~ 6	0.07	0.8	7500	1.39	9.84	32.3

DIMENSIONS DRAWING & P&Q CURVE



MFB3010



Size : 30 x 30 x 10 mm
 Bearing system: BALL, SLEEVE
 Frame: plastic PBT UL94V-0
 Impeller: plastic PBT UL94V-0
 Operating Temp :
 BALL: -10 ~ 70°C
 Sleeve: -10 ~ 70°C
 Life Expectancy
 BALL: 50,000 hours at 25°C
 SLEEVE : 25,000 hours at 25°C
 Weight: 8.5 g

Bearing system

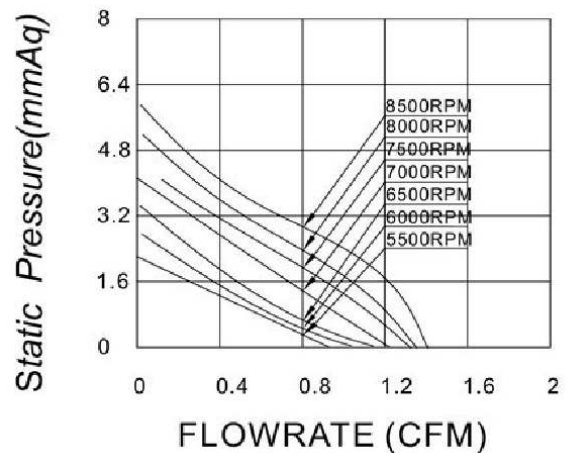
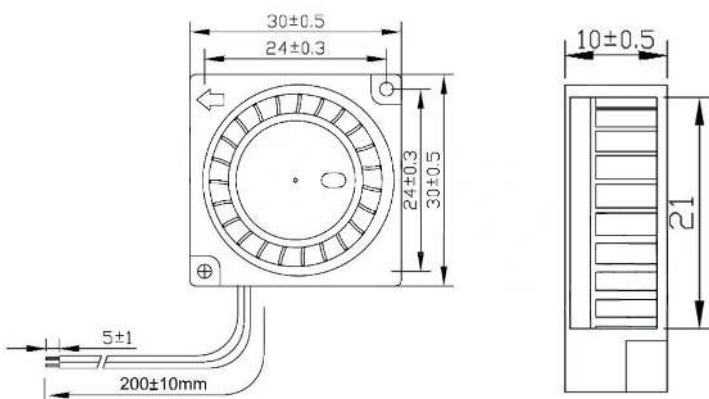
BALL	SLEEVE
●	●

Available Functions

FG	PWM	RD	LD
●	●	●	●

MODEL	Rated Voltage	Operating Voltage Range	Rated Current	Rated Input Power	Speed	Maximum Air Flow	Maximum Air Pressure	Noise
PART NO.	VDC	VDC	Amp	Watt	R.P.M	CFM	mmH2O	DB-A
MFB3010D05-LL	5	1.8 ~ 6.8	0.40	0.20	5500.00	0.90	2.27	23.40
MFB3010D05-L			0.06	0.30	6000.00	1.07	2.86	25.00
MFB3010D05-LV			0.07	0.35	6500.00	1.16	3.36	26.50
MFB3010D05-M			0.09	0.48	7000.00	1.23	3.91	28.70
MFB3010D05-MV			0.11	0.55	7500.00	1.31	4.49	30.00
MFB3010D05-VM			0.14	0.70	8000.00	1.36	5.31	31.70
MFB3010D05-H			0.16	0.80	8500.00	1.39	5.86	33.20
MFB3010D1-LL			12	7.0 ~ 13.5	0.01	0.20	5500.00	0.90
MFB30101-L	0.02	0.30			6000.00	1.07	2.86	25.00
MFB3010D1-LV	0.03	0.36			6500.00	1.16	3.36	26.50
MFB3010D1-M	0.04	0.48			7000.00	1.23	3.91	28.70
MFB3010D1-MV	0.05	0.60			7500.00	1.31	4.49	30.00
MFB3010D1-VM	0.06	0.00			8000.00	1.36	5.31	31.70
MFB3010D1-H	0.07	0.80			8500.00	1.39	5.86	33.20

DIMENSIONS DRAWING & P&Q CURVE



MFB3015



Size : 30 x 30 x 15 mm
 Bearing system: BALL, SLEEVE
 Frame: plastic PBT UL94V-0
 Impeller: plastic PBT UL94V-0
 Operating Temp :
 BALL: -10 ~ 70°C
 Sleeve: -10 ~ 70°C
 Life Expectancy
 BALL: 50,000 hours at 25°C
 SLEEVE : 25,000 hours at 25°C
 Weight: 8.5 g

Bearing system

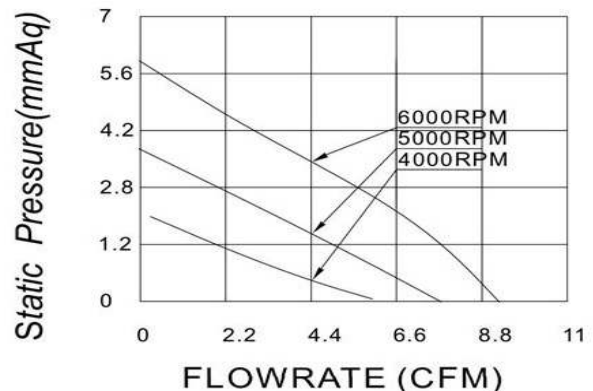
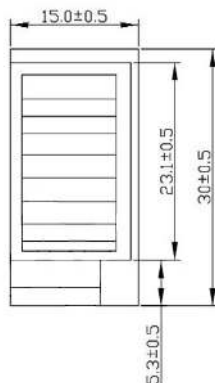
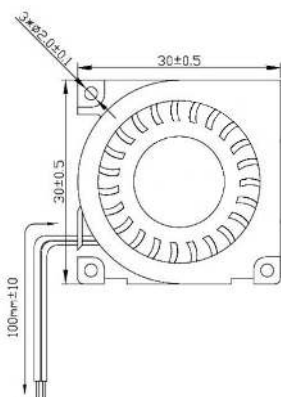
BALL	SLEEVE
●	●

Available Functions

FG	PWM	RD	LD
●	●	●	●

MODEL	Rated Voltage	Operating Voltage Range	Rated Current	Rated Input Power	Speed	Maximum Air Flow	Maximum Air Pressure	Noise
PART NO.	VDC	VDC	Amp	Watt	R.P.M	CFM	mmH2O	DB-A
MFB3015D05-L	5	1.8 ~ 6.8	0.1	0.5	4000	1.07	2.18	17.9
MFB3015D05-M			0.14	0.7	5000	1.4	3.66	21.1
MFB3015D05-H			0.18	0.9	6000	1.7	6.04	25.3
MFB3015D1-L	12	7.0 ~ 13.5	0.042	0.5	4000	1.07	2.18	17.9
MFB3015D1-M			0.06	0.72	5000	1.4	3.66	21.1
MFB3015D1-H			0.08	0.96	6000	1.7	6.04	25.3

DIMENSIONS DRAWING & P&Q CURVE



MFB3507



Size : 30 x 30 x 10 mm
 Bearing system: BALL, SLEEVE
 Frame: plastic PBT UL94V-0
 Impeller: plastic PBT UL94V-0
 Operating Temp :
 BALL: -10 ~ 70°C
 Sleeve: -10 ~ 70°C
 Life Expectancy
 BALL: 50,000 hours at 25°C
 SLEEVE : 25,000 hours at 25°C
 Weight: 10 g

Bearing system

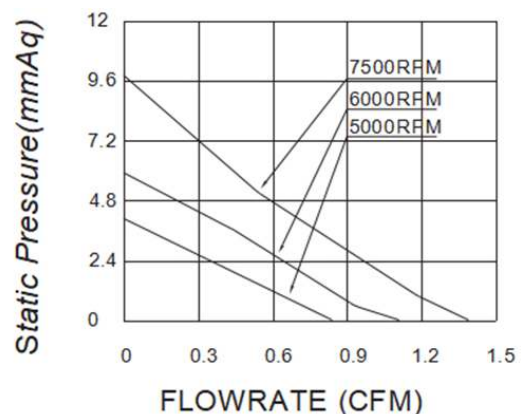
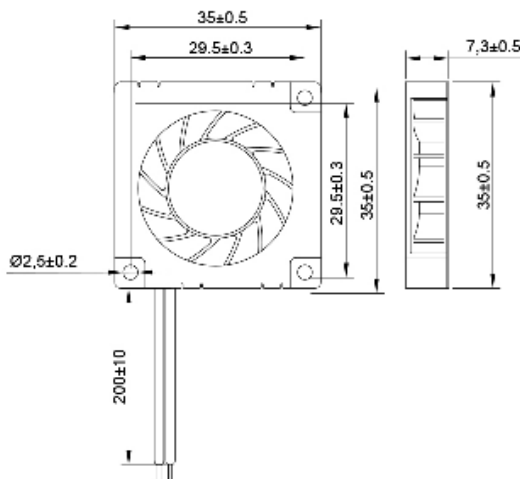
BALL	SLEEVE
●	●

Available Functions

FG	PWM	RD	LD
●	●	●	●

MODEL	Rated Voltage	Operating Voltage Range	Rated Current	Rated Input Power	Speed	Maximun Air Flow	Maimun Air Pressure	Noise
PART NO.	VDC	VDC	Amp	Watt	R.P.M	CFM	mmH2O	DB-A
MFB3507D05-L	5	1.8 ~ 6.8	0.08	0.4	5000	0.84	4.08	23.9
MFB3507D05-M			0.12	0.6	6000	1.11	5.92	27.2
MFB3507D05-H			0.18	0.9	7500	1.39	9.84	32.3
MFB3507D1-L	12	7.0 ~ 13.5	0.034	0.4	5000	0.84	4.08	23.9
MFB3507D1-M			0.05	0.6	6000	1.11	5.92	27.2
MFB3507D1-H			0.075	0.9	7500	1.39	9.84	32.3

DIMENSIONS DRAWING & P&Q CURVE



MFB3510



Size : 35 x 35 x 10 mm
 Bearing system: BALL, SLEEVE
 Frame: plastic PBT UL94V-0
 Impeller: plastic PBT UL94V-0
 Operating Temp :
 BALL: -10 ~ 70°C
 Sleeve: -10 ~ 70°C
 Life Expectancy
 BALL: 50,000 hours at 25°C
 SLEEVE : 25,000 hours at 25°C
 Weight: 10 g

Bearing system

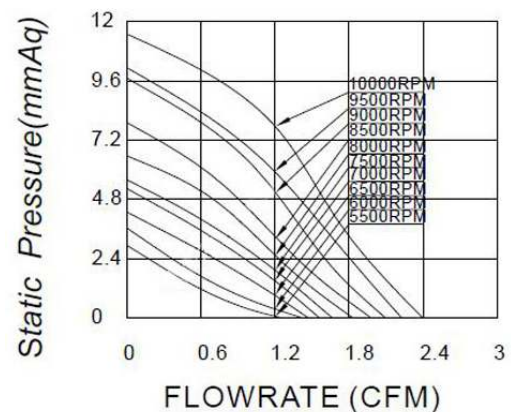
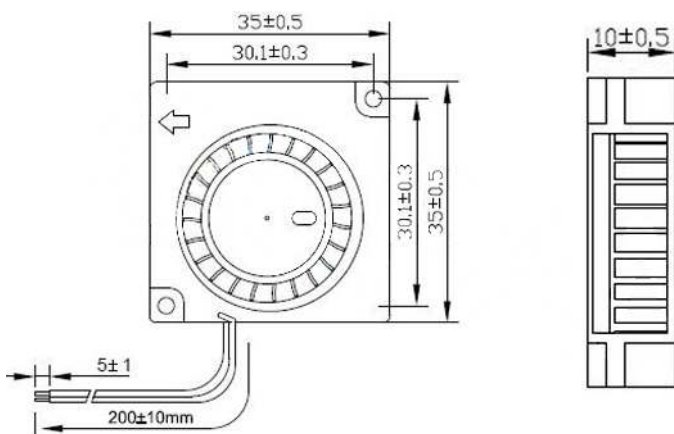
BALL	SLEEVE
●	●

Available Functions

FG	PWM	RD	LD
●	●	●	●

MODEL	Rated Voltage	Operating Voltage Range	Rated Current	Rated Input Power	Speed	Maximum Air Flow	Maximum Air Pressure	Noise		
PART NO.	VDC	VDC	Amp	Watt	R.P.M	CFM	mmH ₂ O	DB-A		
MFB3510D05-LL	5	1.8 ~ 6.8	0.06	0.3	5500	1.25	2.67	25.4		
MFB3510D05-L			0.08	0.4	6000	1.42	3.62	27.5		
MFB3510D05-LV			0.1	0.5	6500	1.45	4.25	29.6		
MFB3510D05-M			0.11	0.55	7000	1.6	5.2	31.6		
MFB3510D05-MV			0.12	0.6	7500	1.67	5.87	33.5		
MFB3510D05-VM			0.14	0.7	8000	1.86	6.92	34.9		
MFB3510D05-H			0.16	0.8	8500	1.98	8.05	36.1		
MFB3510D05-HH			0.18	0.9	9000	2.14	9.1	37.4		
MFB3510D05-HV			0.19	0.95	9500	2.27	10.18	39.1		
MFB3510D05-VH			0.28	1.4	10000	2.38	11.58	40		
MFB3510D1-LL			12	7.0 ~ 13.5	0.03	0.3	5500	1.25	2.67	25.4
MFB3510L-L					0.03	0.4	6000	1.42	3.62	27.5
MFB3510D1-LV	0.04	0.5			6500	1.45	4.25	29.6		
MFB3510D1-M	0.05	0.55			7000	1.6	5.2	31.6		
MFB3510D1-MV	0.05	0.6			7500	1.67	5.87	33.5		
MFB3510D1-VM	0.06	0.7			8000	1.86	6.92	34.9		
MFB3510D1-H	0.07	0.84			8500	1.98	8.05	36.1		
MFB3510D1-HH	0.08	0.9			9000	2.14	9.1	37.4		
MFB3510D1-HV	0.08	0.95			9500	2.27	10.18	39.1		
MFB3510D1-VH	0.12	1.4			10000	2.38	11.58	40		

DIMENSIONS DRAWING & P&Q CURVE



MFB4010



Size : 40 x 40 x 10 mm
 Bearing system: BALL, SLEEVE
 Frame: plastic PBT UL94V-0
 Impeller: plastic PBT UL94V-0
 Operating Temp :
 BALL: -10 ~ 70°C
 Sleeve: -10 ~ 70°C
 Life Expectancy
 BALL: 50,000 hours at 25°C
 SLEEVE : 25,000 hours at 25°C
 Weight: 10 g

Bearing system

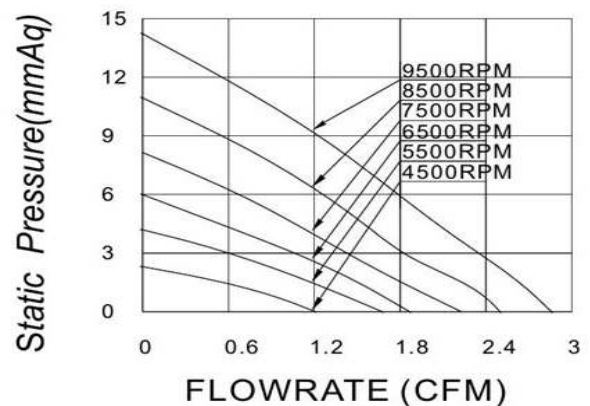
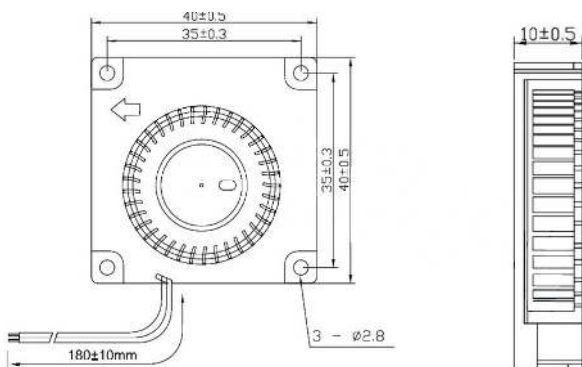
BALL	SLEEVE
●	●

Available Functions

FG	PWM	RD	LD
●	●	●	●

MODEL	Rated Voltage	Operating Voltage Range	Rated Current	Rated Input Power	Speed	Maximum Air Flow	Maximum Air Pressure	Noise
PART NO.	VDC	VDC	Amp	Watt	R.P.M	CFM	mmH2O	DB-A
MFB4010D05-LL	5	1.8 ~ 6.8	0.05	0.25	4000.00	1.09	2.15	18.90
MFB4010D05-L			0.11	0.55	5000.00	1.34	3.03	23.30
MFB4010D05-M			0.15	0.75	6000.00	1.64	4.89	26.00
MFB4010D05-H			0.21	1.05	7000.00	2.03	7.17	29.30
MFB4010D05HH			0.25	1.25	8000.00	2.42	9.50	32.10
MFB4010D05-VH			0.29	1.45	9000.00	2.76	12.86	35.00
MFB4010D05-HV			0.35	1.75	10000.00	3.20	13.93	37.00
MFB4010D1-LL	12	7.0 ~ 13.5	0.03	0.250.3	4000.00	1.09	2.15	18.90
MFB4010D1-L			0.05	0.55	5000.00	1.34	3.03	23.30
MFB4010D1-M			0.06	0.75	6000.00	1.64	4.89	26.00
MFB4010D1-H			0.09	1.05	7000.00	2.03	7.17	29.30
MFB4010D1-HH			0.10	1.25	8000.00	2.42	9.50	32.10
MFB4010D1-VH			0.12	1.45	9000.00	2.76	12.86	35.00
MFB4010D1-HV			0.15	1.75	10000.00	3.20	13.93	37.00

DIMENSIONS DRAWING & P&Q CURVE



MFB4015



Size : 40 x 40 x 15 mm
 Bearing system: BALL, SLEEVE
 Frame: plastic PBT UL94V-0
 Impeller: plastic PBT UL94V-0
 Operating Temp :
 BALL: -10 ~ 70°C
 Sleeve: -10 ~ 70°C
 Life Expectancy
 BALL: 50,000 hours at 25°C
 SLEEVE : 25,000 hours at 25°C
 Weight: 13 g

Bearing system

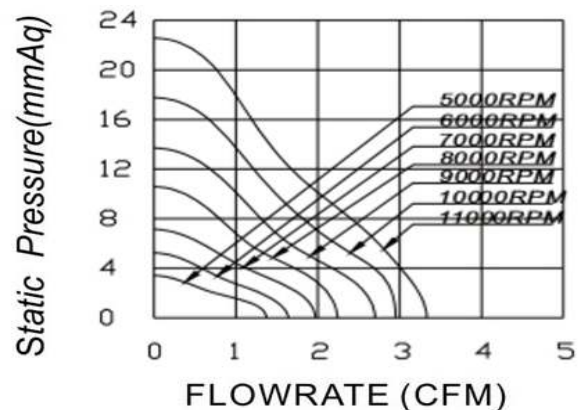
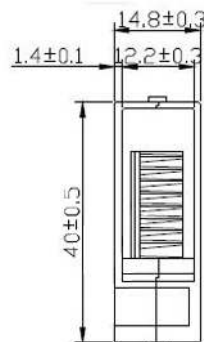
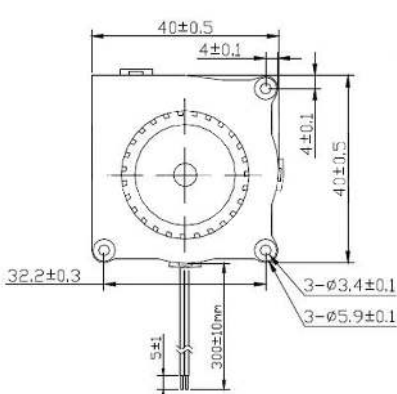
BALL	SLEEVE
●	●

Available Functions

FG	PWM	RD	LD
●	●	●	●

MODEL	Rated Voltage	Operating Voltage Range	Rated Current	Rated Input Power	Speed	Maximum Air Flow	Maximum Air Pressure	Noise
PART NO.	VDC	VDC	Amp	Watt	R.P.M	CFM	mmH2O	DB-A
MFB4015D05-LL	5	1.8 ~ 6.8	0.07	0.38	5000.00	1.37	3.42	29.00
MFB4015D05-L			0.09	0.48	6000.00	1.64	5.25	33.50
MFB4015D05-M			0.12	0.60	7000.00	1.97	7.15	37.60
MFB4015D05-H			0.17	0.84	8000.00	2.39	10.58	41.20
MFB4015D05HH			0.22	1.08	9000.00	2.70	13.70	44.70
MFB4015D05-VH			0.31	1.56	10000.00	2.95	17.70	47.00
MFB4015D05-HV			0.35	1.80	11000.00	3.33	25.57	49.40
MFB4015D1-LL	12	7.0 ~ 13.5	0.03	0.38	4000.00	1.37	3.42	29.00
MFB4015D1-L			0.04	0.48	5000.00	1.64	5.25	33.50
MFB4015D1-M			0.05	0.60	6000.00	1.97	7.15	37.60
MFB4015D1-H			0.07	0.84	7000.00	2.39	10.58	41.20
MFB4015D1-HH			0.09	1.08	8000.00	2.70	13.70	44.70
MFB4015D1-VH			0.13	1.56	9000.00	2.95	17.70	47.00
MFB4015D1-HV			0.15	1.80	11000.00	3.33	25.57	49.40

DIMENSIONS DRAWING & P&Q CURVE



MFB4020



Size : 40 x 40 x 20 mm
 Bearing system: BALL, SLEEVE
 Frame: plastic PBT UL94V-0
 Impeller: plastic PBT UL94V-0
 Operating Temp :
 BALL: -10 ~ 70°C
 Sleeve: -10 ~ 70°C
 Life Expectancy
 BALL: 50,000 hours at 25°C
 SLEEVE : 25,000 hours at 25°C
 Weight: 30 g

Bearing system

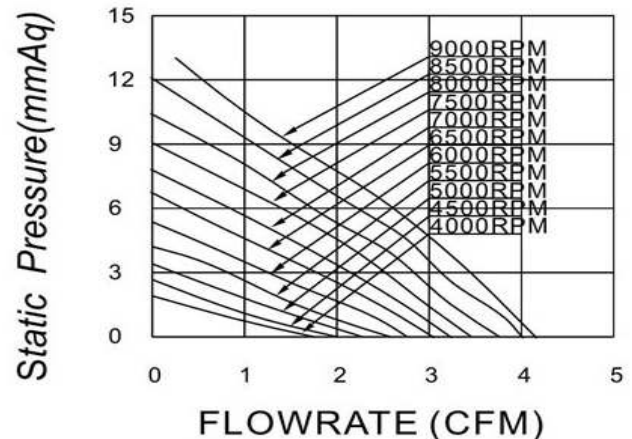
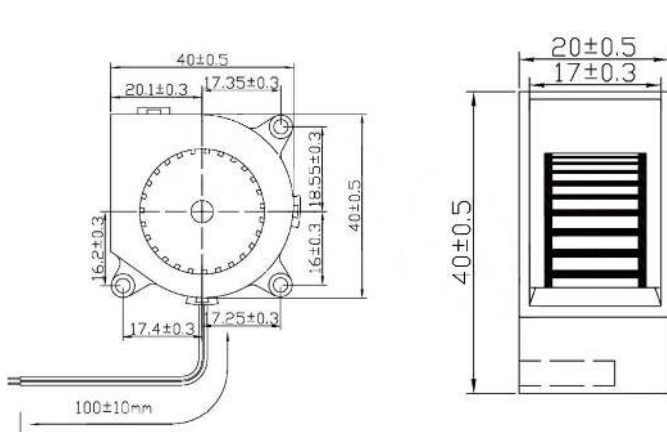
BALL	SLEEVE
●	●

Available Functions

FG	PWM	RD	LD
●	●	●	●

MODEL	Rated Voltage VDC	Operating Voltage Range VDC	Rated Current Amp	Rated Input Power Watt	Speed R.P.M	Maximum Air Flow CFM	Maximum Air Pressure mmH2O	Noise DB-A
MFB4020D05-LL	5	3.6 ~ 6.8	0.14	0.72	4500.00	2.00	2.64	27.40
MFB4020D05-L			0.16	0.80	5000.00	2.27	3.35	30.20
MFB4020D05-ML			0.24	1.20	5500.00	2.56	4.18	33.50
MFB4020D05-LM			0.29	1.44	6000.00	2.75	5.22	35.70
MFB4020D05-M			0.34	1.68	6500.00	3.06	6.55	37.40
MFB4020D05-H			0.38	1.92	7500.00	3.54	9.13	40.90
MFB4020D1-LL	12	6.0 ~ 13.5	0.06	0.72	4500.00	2.00	2.64	27.40
MFB4020D1-L			0.07	0.80	5000.00	2.27	3.35	30.20
MFB4020D1-ML			0.10	1.20	5500.00	2.56	4.18	33.50
MFB4020D1-LM			0.12	1.44	6000.00	2.75	5.22	35.70
MFB4020D1-M			0.14	1.68	6500.00	3.06	6.55	37.40
MFB4020D1-H			0.16	1.92	7500.00	3.54	9.13	40.90
MFB4020D1-HH			0.18	2.16	8500.00	4.00	12.16	44.50
MFB4020D2-LL	24	18 ~ 26.5	0.03	0.72	4500.00	2.00	2.64	27.40
MFB4020D2-ML			0.05	1.20	5500.00	2.56	4.18	33.50
MFB4020D2-LM			0.06	1.44	6000.00	2.75	5.22	35.70
MFB4020D2-M			0.07	1.68	6500.00	3.06	6.55	37.40
MFB4020D2-H			0.08	1.92	7500.00	3.54	9.13	40.90
MFB4020D2-HH			0.09	2.16	8500.00	4.00	12.16	44.50

DIMENSIONS DRAWING & P&Q CURVE



MFB4510



Size : 45 x 45 x 10 mm
 Bearing system: BALL, SLEEVE
 Frame: plastic PBT UL94V-0
 Impeller: plastic PBT UL94V-0
 Operating Temp :
 BALL: -10 ~ 70°C
 Sleeve: -10 ~ 70°C
 Life Expectancy
 BALL: 50,000 hours at 25°C
 SLEEVE : 25,000 hours at 25°C
 Weight: 30 g

Bearing system

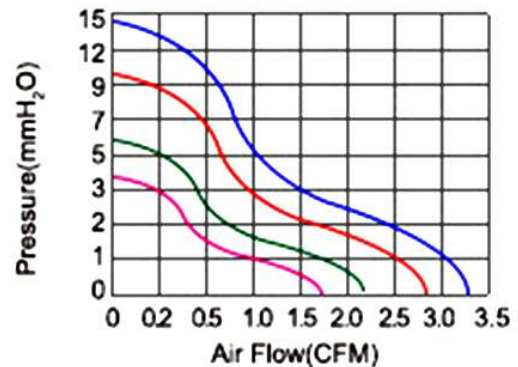
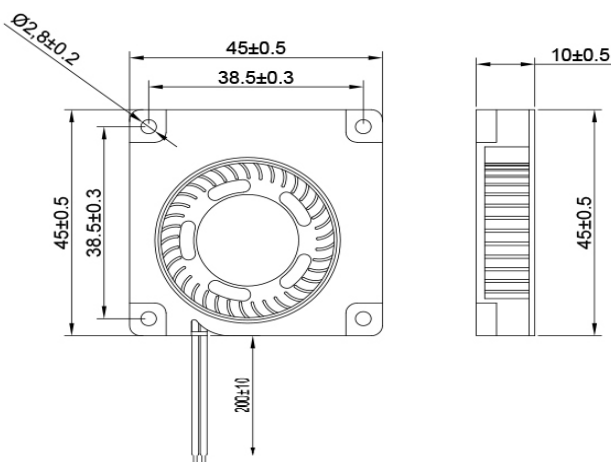
BALL	SLEEVE
●	●

Available Functions

FG	PWM	RD	LD
●	●	●	●

MODEL	Rated Voltage	Operating Voltage Range	Rated Current	Rated Input Power	Speed	Maximum Air Flow	Maximum Air Pressure	Noise
PART NO.	VDC	VDC	Amp	Watt	R.P.M	CFM	mmH ₂ O	DB-A
MFB4510D05-L	5	3.6 ~ 6.8	0.11	0.55	3500.00	1.66	3.11	21.50
MFB4510D05-M			0.14	0.70	4500.00	2.15	5.78	27.00
MFB4510D05-H			0.17	0.85	5500.00	2.75	9.72	30.50
MFB4510D05-HH			0.20	1.00	6500.00	3.28	14.09	35.50
MFB4510D1-L	12	6.0 ~ 13.5	0.05	0.60	3500.00	1.66	3.11	21.50
MFB4510D1-M			0.07	0.84	4500.00	2.15	5.78	27.00
MFB4510D1-H			0.09	1.08	5500.00	2.75	9.72	30.50
MFB4510D1-HH			0.11	1.32	6500.00	3.28	14.09	35.50

DIMENSIONS DRAWING & P&Q CURVE



MFB5010



Size : 50 x 50 x 10 mm
 Bearing system: BALL, SLEEVE
 Frame: plastic PBT UL94V-0
 Impeller: plastic PBT UL94V-0
 Operating Temp :
 BALL: -10 ~ 70°C
 Sleeve: -10 ~ 70°C
 Life Expectancy
 BALL: 50,000 hours at 25°C
 SLEEVE : 25,000 hours at 25°C
 Weight: 18 g

Bearing system

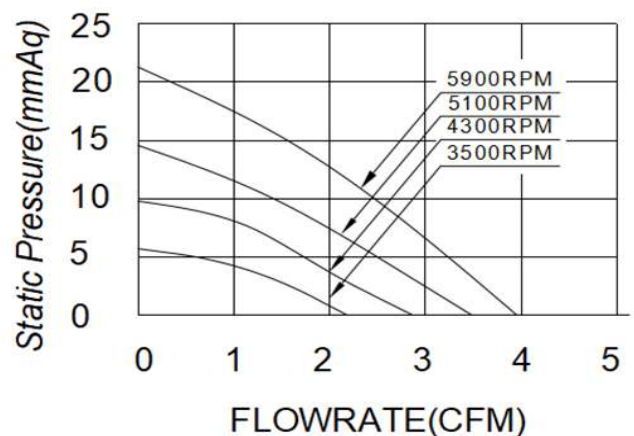
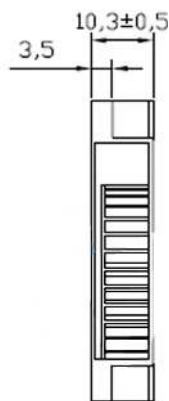
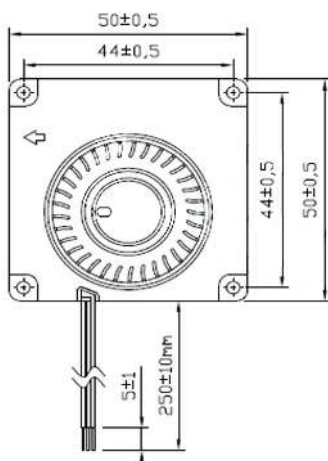
BALL	SLEEVE
●	●

Available Functions

FG	PWM	RD	LD
●	●	●	●

MODEL	Rated Voltage	Operating Voltage Range	Rated Current	Rated Input Power	Speed	Maximun Air Flow	Maimun Air Pressure	Noise
PART NO.	VDC	VDC	Amp	Watt	R.P.M	CFM	mmH2O	DB-A
MFB5010D05-L	5	4 ~ 5.5	0.08	0.40	3500.00	1.87	3.18	22.50
MFB5010D05-M			0.16	0.80	4500.00	2.40	5.64	28.00
MFB5010D05-H			0.24	1.20	5500.00	3.04	9.47	32.50
MFB5010D05-HH			0.32	1.60	6500.00	3.88	13.43	37.50
MFB5010D1-L	12	7.0 ~ 13.2	0.04	0.48	3500.00	1.87	3.18	22.50
MFB5010D1-M			0.06	0.80	4500.00	2.40	5.64	28.00
MFB5010D1-H			0.12	1.44	5500.00	3.04	9.47	32.50
MFB5010D1-HH			0.14	1.68	6500.00	3.88	13.43	37.50

DIMENSIONS DRAWING & P&Q CURVE



MFB5015



Size : 50 x 50 x 15 mm
 Bearing system: BALL, SLEEVE
 Frame: plastic PBT UL94V-0
 Impeller: plastic PBT UL94V-0
 Operating Temp :
 BALL: -10 ~ 70°C
 Sleeve: -10 ~ 70°C
 Life Expectancy
 BALL: 50,000 hours at 25°C
 SLEEVE : 25,000 hours at 25°C
 Weight: 30 g

Bearing system

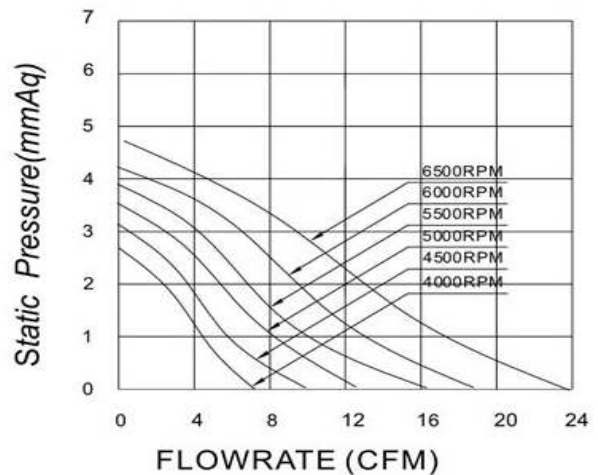
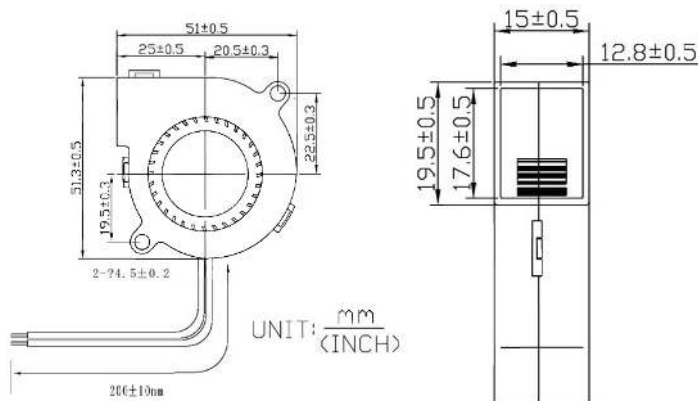
BALL	SLEEVE
●	●

Available Functions

FG	PWM	RD	LD
●	●	●	●

MODEL	Rated Voltage	Operating Voltage Range	Rated Current	Rated Input Power	Speed	Maximum Air Flow	Maximum Air Pressure	Noise
PART NO.	VDC	VDC	Amp	Watt	R.P.M	CFM	mmH2O	DB-A
MFB5015D05-L	5	3.6 ~ 6.8	0.12	0.60	4000.00	2.81	7.56	34.30
MFB5015D05-M			0.17	0.84	4500.00	3.15	9.69	37.10
MFB5015D05-H			0.22	1.10	5000.00	3.54	12.57	39.60
MFB5015D05-HH			0.26	1.30	5500.00	3.96	16.12	42.50
MFB5015D05-VH			0.39	1.95	6000.00	4.23	19.38	44.30
MFB5015D05-HV			0.40	2.45	6500.00	4.71	23.98	46.30
MFB5015D1-L	12	6.0 ~ 13.5	0.05	0.60	4000.00	2.81	7.56	34.30
MFB5015D1-M			0.07	0.84	4500.00	3.15	9.69	37.10
MFB5015D1-H			0.09	1.10	5000.00	3.54	12.57	39.60
MFB5015D1-HH			0.12	1.40	5500.00	3.96	16.12	42.50
MFB5015D1-VH			0.13	2.50	6000.00	4.23	19.38	44.30
MFB5015D1-HV			0.24	2.88	6500.00	4.71	23.98	46.30

DIMENSIONS DRAWING & P&Q CURVE



MFB5020



Size : 50 x 50 x 20 mm
 Bearing system: BALL, SLEEVE
 Frame: plastic PBT UL94V-0
 Impeller: plastic PBT UL94V-0
 Operating Temp :
 BALL: -10 ~ 70°C
 Sleeve: -10 ~ 70°C
 Life Expectancy
 BALL: 50,000 hours at 25°C
 SLEEVE : 25,000 hours at 25°C
 Weight: 32 g

Bearing system

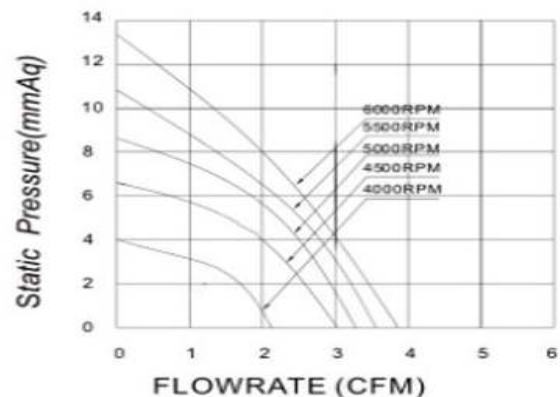
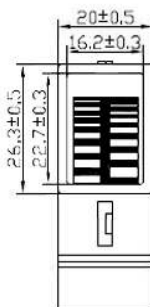
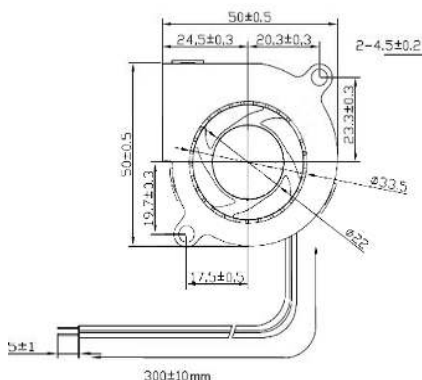
BALL	SLEEVE
●	●

Available Functions

FG	PWM	RD	LD
●	●	●	●

MODEL	Rated Voltage	Operating Voltage Range	Rated Current	Rated Input Power	Speed	Maximun Air Flow	Maximun Air Pressure	Noise
PART NO.	VDC	VDC	Amp	Watt	R.P.M	CFM	mmH2O	DB-A
MFB5020D05-L	5	1.8 ~ 6.8	0.24	1.20	4000.00	2.13	4.00	31.50
MFB5020D05-LL			0.30	1.50	4500.00	3.04	6.68	34.20
MFB5020D05-M			0.60	1.80	5000.00	3.40	8.56	38.90
MFB5020D1-L	12	6.0 ~ 13.5	0.10	1.20	4000.00	2.13	4.00	31.50
MFB5020D1-LL			0.12	1.50	4500.00	3.04	6.68	34.20
MFB5020D1-M			0.15	1.80	5000.00	3.40	7.56	38.90
MFB5020D1-H			0.18	2.10	5500.00	3.60	8.56	39.90
MFB5020D1-HH			0.21	2.50	6000.00	3.79	13.33	42.70
MFB5020D2-L	24	18 ~ 26.5	0.05	1.20	4000.00	2.13	4.00	31.50
MFB5020D2-LL			0.06	1.50	4500.00	3.04	6.68	34.20
MFB5020D2-M			0.07	1.80	5000.00	3.40	7.56	38.90
MFB5020D2-H			0.09	2.10	5500.00	3.60	8.56	39.90
MFB5020D2-HH			0.10	2.50	6000.00	3.79	13.33	42.70

DIMENSIONS DRAWING & P&Q CURVE



MFB5025



Size : 50 x 50 x 25 mm
 Bearing system: BALL, SLEEVE
 Frame: plastic PBT UL94V-0
 Impeller: plastic PBT UL94V-0
 Operating Temp :
 BALL: -10 ~ 70°C
 Sleeve: -10 ~ 70°C
 Life Expectancy
 BALL: 50,000 hours at 25°C
 SLEEVE : 25,000 hours at 25°C
 Weight: 35 g

Bearing system

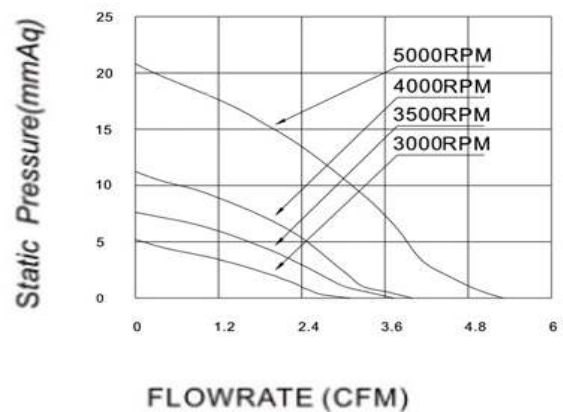
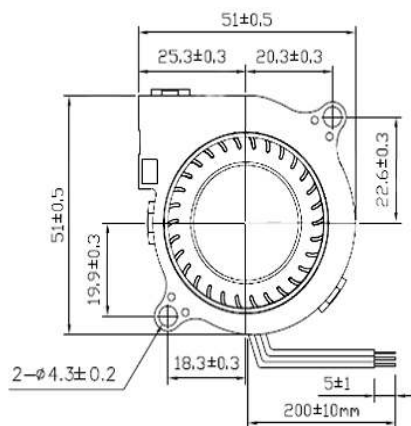
BALL	SLEEVE
●	●

Available Functions

FG	PWM	RD	LD
●	●	●	●

MODEL	Rated Voltage	Operating Voltage Range	Rated Current	Rated Input Power	Speed	Maximun Air Flow	Maimun Air Pressure	Noise
PART NO.	VDC	VDC	Amp	Watt	R.P.M	CFM	mmH2O	DB-A
MFB5025D05-L	5	3.6 ~ 6.8	0.20	1.00	3000.00	3.09	5.22	34.50
MFB5025D05-M			0.23	1.16	3500.00	3.73	7.62	37.50
MFB5025D05-H			0.26	1.32	4000.00	3.99	11.24	40.30
MFB5025D05-HH			0.33	1.65	4000.00	3.99	11.24	40.30
MFB5025D1-L	12	6.0 ~ 13.5	0.08	1.00	3000.00	3.09	5.22	34.50
MFB5025D1-M			0.10	1.16	3500.00	3.73	7.62	37.50
MFB5025D1-H			0.11	1.32	4000.00	3.99	11.24	40.30
MFB5025D1-HH			0.14	1.65	5000.00	5.31	20.80	46.20
MFB5025D2-L	24	18 ~ 26.5	0.04	1.00	3000.00	3.09	5.22	34.50
MFB5025D2-M			0.05	1.16	3500.00	3.73	7.62	37.50
MFB5025D2-H			0.06	1.32	4000.00	3.99	11.24	40.30
MFB5025D2-HH			0.07	1.65	5000.00	5.31	20.80	46.20

DIMENSIONS DRAWING & P&Q CURVE



MFB6025



Size : 60 x 60 x 25 mm
 Bearing system: BALL, SLEEVE
 Frame: plastic PBT UL94V-0
 Impeller: plastic PBT UL94V-0
 Operating Temp :
 BALL: -10 ~ 70°C
 Sleeve: -10 ~ 70°C
 Life Expectancy
 BALL: 50,000 hours at 25°C
 SLEEVE : 25,000 hours at 25°C
 Weight: 70 g

Bearing system

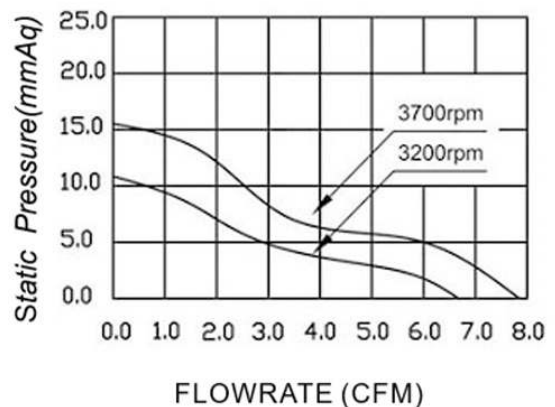
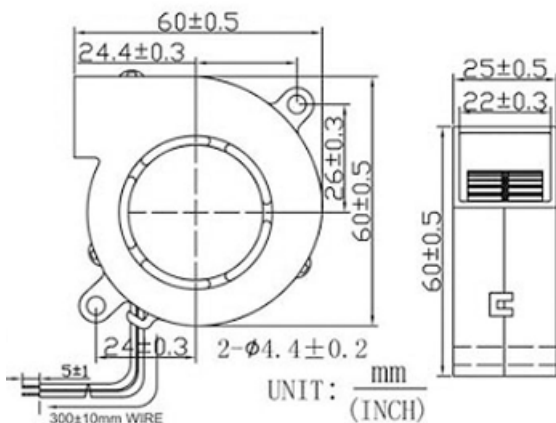
BALL	SLEEVE
●	●

Available Functions

FG	PWM	RD	LD
●	●	●	●

MODEL	Rated Voltage	Operating Voltage Range	Rated Current	Rated Input Power	Speed	Maximum Air Flow	Maximum Air Pressure	Noise
PART NO.	VDC	VDC	Amp	Watt	R.P.M	CFM	mmH2O	DB-A
MFB6025D05-H	5	3.6 ~ 6.8	0.24	1.20	3200.00	6.71	10.88	34.00
MFB6025D05-H			0.28	1.40	3700.00	7.88	15.49	39.00
MFB6025D1-M	12	6.0 ~ 13.5	0.10	1.20	3200.00	6.71	10.88	34.00
MFB6025D1-H			0.12	1.44	3700.00	7.88	15.49	39.00
MFB6025D2-M	24	18 ~ 26.5	0.05	1.20	3200.00	6.71	10.88	34.00
MFB6025D2-H			0.06	1.50	3700.00	7.88	15.49	39.00

DIMENSIONS DRAWING & P&Q CURVE



MFB6028



Size : 60 x 60 x 28 mm
 Bearing system: BALL, SLEEVE
 Frame: plastic PBT UL94V-0
 Impeller: plastic PBT UL94V-0
 Operating Temp :
 BALL: -10 ~ 70°C
 Sleeve: -10 ~ 70°C
 Life Expectancy
 BALL: 50,000 hours at 25°C
 SLEEVE : 25,000 hours at 25°C
 Weight: 70 g

Bearing system

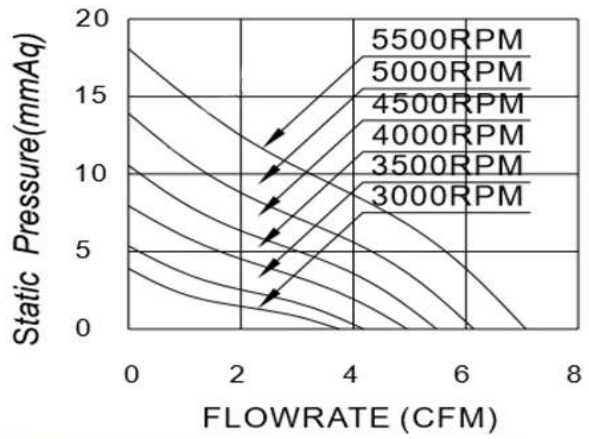
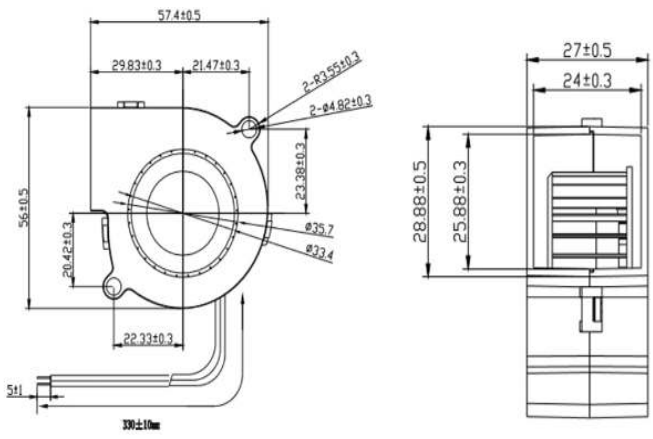
BALL	SLEEVE
●	●

Available Functions

FG	PWM	RD	LD
●	●	●	●

MODEL	Rated Voltage	Operating Voltage Range	Rated Current	Rated Input Power	Speed	Maximun Air Flow	Maimun Air Pressure	Noise
PART NO.	VDC	VDC	Amp	Watt	R.P.M	CFM	mmH2O	DB-A
MFB6028D05-L	5	3.6 ~ 6.8	0.14	0.72	3000.00	3.79	3.91	29.40
MFB6028D05-M			0.19	0.96	3500.00	4.25	5.54	32.60
MFB6028D05-H			0.24	1.20	4000.00	4.94	7.79	36.60
MFB6028D05-HH			0.34	1.66	4500.00	5.52	10.29	38.80
MFB6028D05-VH			0.43	2.16	5000.00	6.32	13.75	41.30
MFB6028D05-HV			0.48	2.40	5500.00	6.99	17.67	44.30
MFB6028D1-L	12	6.0 ~ 13.5	0.05	0.72	3000.00	3.79	3.91	29.40
MFB6028D1-M			0.08	0.96	3500.00	4.25	5.54	32.60
MFB6028D1-H			0.10	1.20	4000.00	4.94	7.79	36.60
MFB6028D1-HH			0.14	1.68	4500.00	5.52	10.29	38.80
MFB6028D1-VH			0.18	2.18	5000.00	6.32	13.75	41.30
MFB6028D1-HV			0.20	2.40	5500.00	6.99	17.67	44.30
MFB6028D2-L	24	18 ~ 26.5	0.03	0.72	3000.00	3.79	3.91	29.40
MFB6028D2-M			0.04	0.96	3500.00	4.25	5.54	32.60
MFB6028D2-H			0.05	1.20	4000.00	4.94	7.79	36.60
MFB6028D2-HH			0.07	1.68	4500.00	5.52	10.29	38.80
MFB6028D2-VH			0.09	2.16	5000.00	6.32	13.75	41.30
MFB6028D2-HV			0.10	2.40	5500.00	6.99	17.67	44.30

DIMENSIONS DRAWING & P&Q CURVE



MFB7015



Size : 70 x 70 x 15 mm
 Bearing system: BALL, SLEEVE
 Frame: plastic PBT UL94V-0
 Impeller: plastic PBT UL94V-0
 Operating Temp :
 BALL: -10 ~ 70°C
 Sleeve: -10 ~ 70°C
 Life Expectancy
 BALL: 50,000 hours at 25°C
 SLEEVE : 25,000 hours at 25°C
 Weight: 72 g

Bearing system

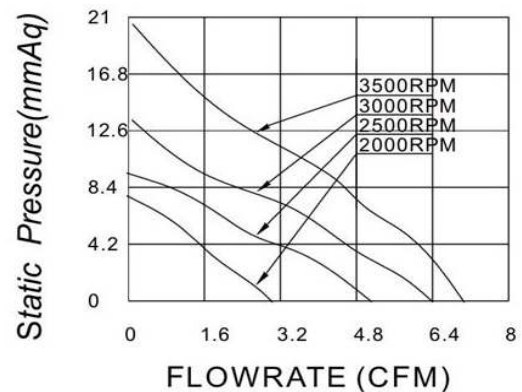
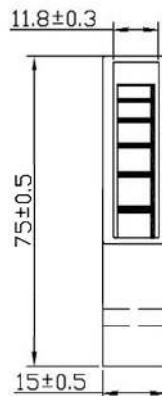
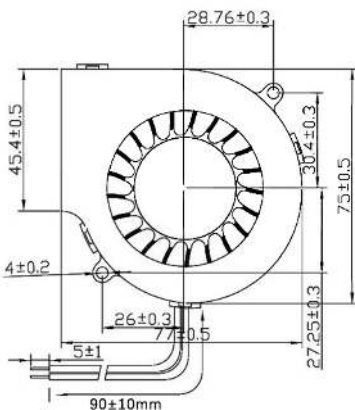
BALL	SLEEVE
●	●

Available Functions

FG	PWM	RD	LD
●	●	●	●

MODEL	Rated Voltage	Operating Voltage Range	Rated Current	Rated Input Power	Speed	Maximun Air Flow	Maimun Air Pressure	Noise
PART NO.	VDC	VDC	Amp	Watt	R.P.M	CFM	mmH2O	DB-A
MFB7015D1-L	12	6.0 ~ 13.5	0.10	1.20	2000.00	4.20	5.29	30.20
MFB7015D1-M			0.14	1.62	2500.00	5.18	9.30	35.70
MFB7015D1-H			0.16	1.92	3000.00	6.27	13.81	39.60
MFB7015D1-HH			0.18	2.20	3500.00	7.21	20.66	44.40
MFB7015D2-L	24	18 ~ 26.5	0.05	1.20	2000.00	4.20	5.29	30.20
MFB7015D2-M			0.07	1.62	2500.00	5.18	9.30	35.70
MFB7015D2-H			0.08	2.00	3000.00	6.27	13.81	39.60
MFB7015D2-HH			0.10	2.40	3500.00	7.21	20.66	44.40

DIMENSIONS DRAWING & P&Q CURVE



MFB7525



Size : 75 x 75 x 25 mm
 Bearing system: BALL, SLEEVE
 Frame: plastic PBT UL94V-0
 Impeller: plastic PBT UL94V-0
 Operating Temp :
 BALL: -10 ~ 70°C
 Sleeve: -10 ~ 70°C
 Life Expectancy
 BALL: 50,000 hours at 25°C
 SLEEVE : 25,000 hours at 25°C
 Weight: 75 g

Bearing system

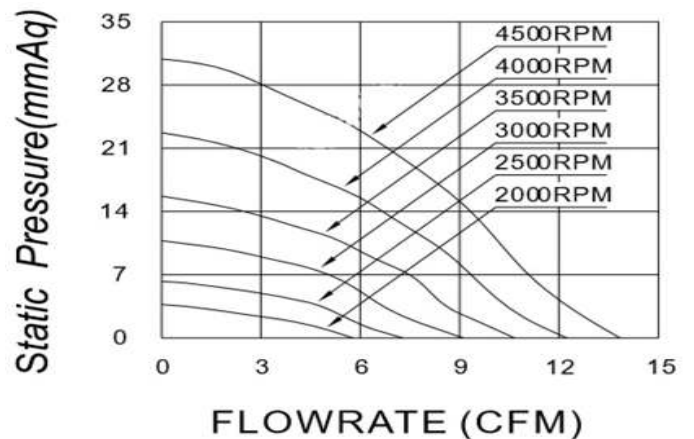
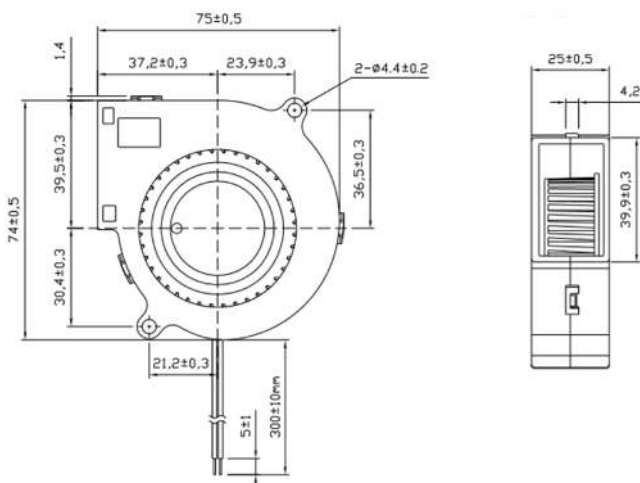
BALL	SLEEVE
●	●

Available Functions

FG	PWM	RD	LD
●	●	●	●

MODEL	Rated Voltage	Operating Voltage Range	Rated Current	Rated Input Power	Speed	Maximum Air Flow	Maximum Air Pressure	Noise
PART NO.	VDC	VDC	Amp	Watt	R.P.M	CFM	mmH2O	DB-A
MFB7525D1-L	12	6.0 ~ 13.5	0.04	0.48	2000.00	5.77	3.65	31.70
MFB7525D1-M			0.10	1.20	2500.00	7.27	6.22	35.40
MFB7525D1-H			0.17	2.04	3000.00	9.11	10.75	40.50
MFB7525D1-HH			0.26	3.12	3500.00	10.60	15.75	44.30
MFB7525D1-VH			0.43	5.16	4000.00	12.20	22.71	47.70
MFB7525D1-HV			0.64	7.68	4500.00	13.90	30.97	51.70
MFB7525D2-L	24	18 ~ 26.5	0.02	0.48	2000.00	5.77	3.65	31.70
MFB7525D2-M			0.05	1.20	2500.00	7.27	6.22	35.40
MFB7525D2-H			0.09	2.16	3000.00	9.11	10.75	40.50
MFB7525D2-HH			0.13	3.12	3500.00	10.60	15.75	44.30
MFB7525D2-VH			0.22	5.28	4000.00	12.20	22.71	47.70
MFB7525D2-HV			0.32	7.68	4500.00	13.90	30.97	51.70

DIMENSIONS DRAWING & P&Q CURVE



MFB7530



Size : 75 x 75 x 30 mm
 Bearing system: BALL, SLEEVE
 Frame: plastic PBT UL94V-0
 Impeller: plastic PBT UL94V-0
 Operating Temp :
 BALL: -10 ~ 70°C
 Sleeve: -10 ~ 70°C
 Life Expectancy
 BALL: 50,000 hours at 25°C
 SLEEVE : 25,000 hours at 25°C
 Weight: 80 g

Bearing system

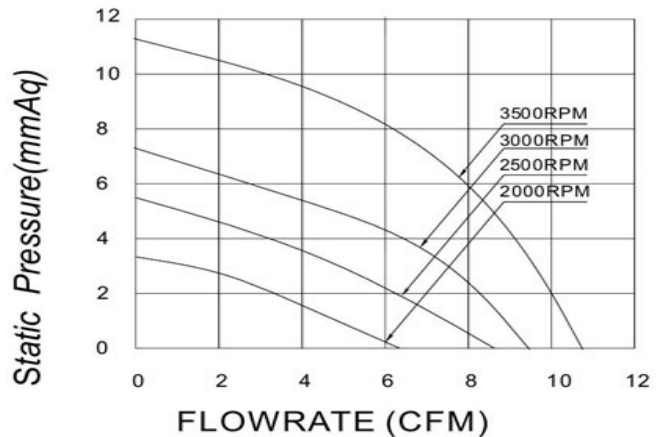
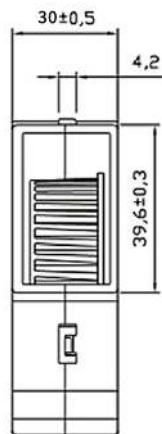
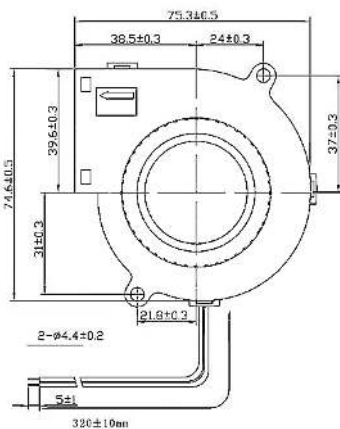
BALL	SLEEVE
●	●

Available Functions

FG	PWM	RD	LD
●	●	●	●

MODEL	Rated Voltage	Operating Voltage Range	Rated Current	Rated Input Power	Speed	Maximun Air Flow	Maimun Air Pressure	Noise
PART NO.	VDC	VDC	Amp	Watt	R.P.M	CFM	mmH2O	DB-A
MFB7530D1-L	12	6.0 ~ 13.5	0.16	1.92	2000.00	6.37	2.65	33.20
MFB7530D1-M			0.26	3.12	2500.00	8.87	5.53	37.50
MFB7530D1-H			0.34	4.08	3000.00	9.25	7.26	42.70
MFB7530D1-HH			0.46	5.52	3500.00	10.80	11.25	45.60
MFB7530D1-VH			0.60	7.20	4000.00	12.90	14.37	46.80
MFB7530D2-L	24	18 ~ 26.5	0.08	1.92	2000.00	6.37	2.65	33.20
MFB7530D2-M			0.13	3.12	2500.00	8.87	5.53	37.50
MFB7530D2-H			0.17	4.08	3000.00	9.25	7.26	42.70
MFB7530D2-HH			0.23	5.52	3500.00	10.80	11.25	45.60
MFB7530D2-VH			0.30	7.20	4000.00	12.90	14.37	46.80
MFB7530D4-L	48	36 ~ 55	0.04	1.92	2000.00	6.37	2.65	33.20
MFB7530D4-M			0.07	3.12	2500.00	8.87	5.53	37.50
MFB7530D4-H			0.09	4.08	3000.00	9.25	7.26	42.70
MFB7530D4-HH			0.12	5.52	3500.00	10.80	11.25	45.60
MFB7530D4-VH			0.15	7.20	4000.00	12.90	14.37	46.80

DIMENSIONS DRAWING & P&Q CURVE



MFB9720



Size : 97 x 97 x 20 mm
 Bearing system: BALL, SLEEVE
 Frame: plastic PBT UL94V-0
 Impeller: plastic PBT UL94V-0
 Operating Temp :
 BALL: -10 ~ 70°C
 Sleeve: -10 ~ 70°C
 Life Expectancy
 BALL: 50,000 hours at 25°C
 SLEEVE : 25,000 hours at 25°C
 Weight: 178 g

Bearing system

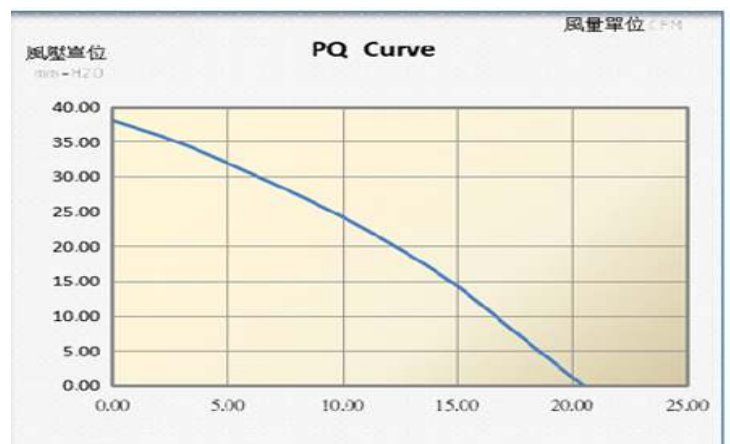
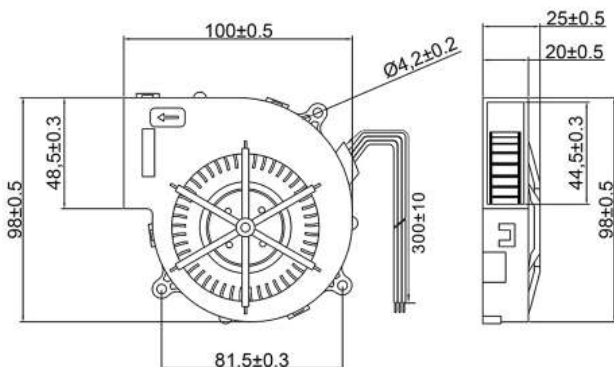
BALL	SLEEVE
●	●

Available Functions

FG	PWM	RD	LD
●	●	●	●

MODEL	Rated Voltage	Operating Voltage Range	Rated Current	Rated Input Power	Speed	Maximun Air Flow	Maimun Air Pressure	Noise
PART NO.	VDC	VDC	Amp	Watt	R.P.M	CFM	mmH2O	DB-A
MFB9720D2-L	12	7 ~13.5	0.4	4.8	3800	20.47	38.02	50.8
MFB9720D2-L	24	16.8~26.5	0.2	4.8	3800	20.47	38.02	50.8

DIMENSIONS DRAWING & P&Q CURVE



MFB9733



Size : 97 x 97 x 33 mm
 Bearing system: BALL, SLEEVE
 Frame: plastic PBT UL94V-0
 Impeller: plastic PBT UL94V-0
 Operating Temp :
 BALL: -10 ~ 70°C
 Sleeve: -10 ~ 70°C
 Life Expectancy
 BALL: 50,000 hours at 25°C
 SLEEVE : 25,000 hours at 25°C
 Weight: 170 g

Bearing system

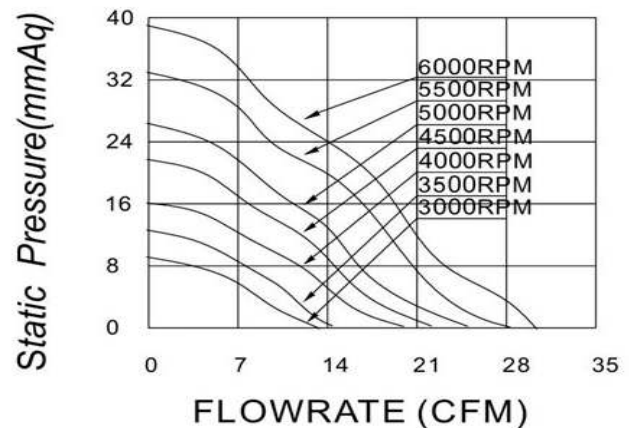
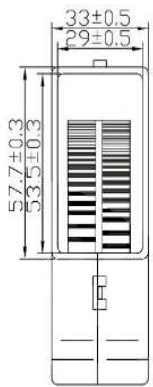
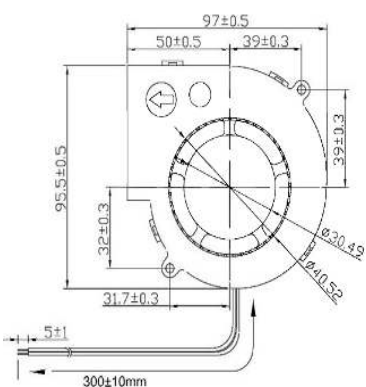
BALL	SLEEVE
●	●

Available Functions

FG	PWM	RD	LD
●	●	●	●

MODEL	Rated Voltage	Operating Voltage Range	Rated Current	Rated Input Power	Speed	Maximum Air Flow	Maximum Air Pressure	Noise
PART NO.	VDC	VDC	Amp	Watt	R.P.M	CFM	mmH2O	DB-A
MFB9733D1-L	12	7.0 ~ 13.5	0.25	3	3000	12.8	8.99	44.8
MFB9733D1-M			0.44	5.28	3500	15.4	12.4	47.2
MFB9733D1-H			0.53	6.4	4000	20	16.17	50.9
MFB9733D1-HH			0.63	7.56	4500	22.5	21.43	52.5
MFB9733D1-VH			0.8	9.6	5000	25.2	26.25	55.3
MFB9733D1-HV			1.1	13.2	5500	28.3	33.15	57.1
MFB9733D2-L	24	18 ~ 26.5	0.13	3	3000	12.8	8.99	44.8
MFB9733D2-M			0.22	6	3500	15.4	12.4	47.2
MFB9733D2-H			0.27	6.4	4000	20	16.17	50.9
MFB9733D2-HH			0.32	7.56	4500	22.5	21.43	52.5
MFB9733D2-VH			0.4	9.6	5000	25.2	26.25	55.3
MFB9733D2-HV			0.55	13.2	5500	28.3	33.15	57.1
MFB9733D4-L	48	36 ~ 54	0.09	4.32	3000	12.8	8.99	44.8
MFB9733D4-M			0.13	6	3500	15.4	12.4	47.2
MFB9733D4-H			0.17	8.16	4000	20	16.17	50.9
MFB9733D4-HH			0.21	10	4500	22.5	21.43	52.5
MFB9733D4-VH			0.25	12	5000	25.2	26.25	55.3

DIMENSIONS DRAWING & P&Q CURVE



MFB9733B



Size : 97 x 97 x 33 mm
 Bearing system: BALL, SLEEVE
 Frame: plastic PBT UL94V-0
 Impeller: plastic PBT UL94V-0
 Operating Temp :
 BALL: -10 ~ 70°C
 Sleeve: -10 ~ 70°C
 Life Expectancy
 BALL: 50,000 hours at 25°C
 SLEEVE : 25,000 hours at 25°C
 Weight: 195 g

Bearing system

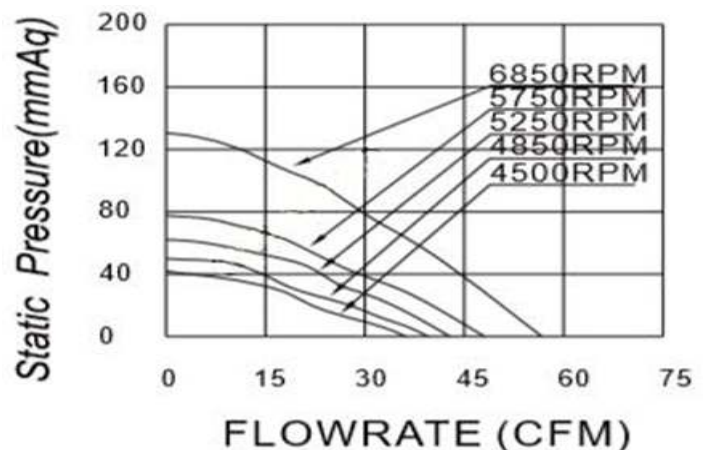
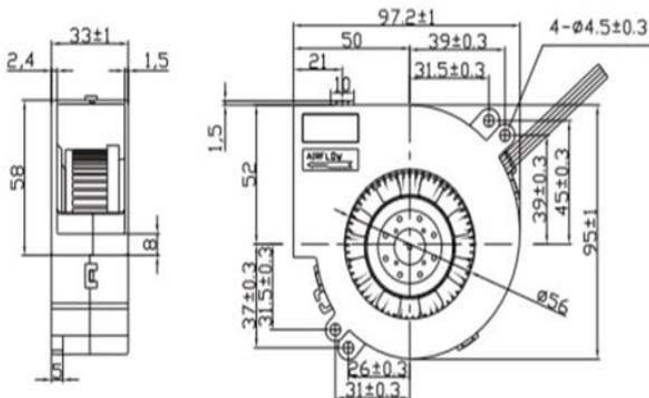
BALL	SLEEVE
●	●

Available Functions

FG	PWM	RD	LD
●	●	●	●

MODEL	Rated Voltage	Operating Voltage Range	Rated Current	Rated Input Power	Speed	Maximum Air Flow	Maximum Air Pressure	Noise
PART NO.	VDC	VDC	Amp	Watt	R.P.M	CFM	mmH2O	DB-A
MFB9733BD1-L	12	7.0 ~ 13.2	0.9	10.8	4500	36.7	41.79	56
MFB9733BD1-M			1.1	13.2	4850	39.2	49.95	57
MFB9733BD1-H			1.4	16.8	5250	43.1	62.18	59
MFB9733BD1-HH			1.8	21.6	5750	47.3	77.47	61
MFB9733BD1-VH			2.9	34.8	6850	56.8	130.49	66
MFB9733BD2-L	24	12 ~ 2645	0.45	10.8	4500	36.7	41.79	56
MFB9733BD2-M			0.55	13.2	4850	39.2	49.95	57
MFB9733BD2-H			0.7	16.8	5250	43.1	62.18	59
MFB9733BD2-HH			0.83	19.9	5750	47.3	77.47	61
MFB9733BD2-VH			1.62	38.8	6850	56.8	130.49	66

DIMENSIONS DRAWING & P&Q CURVE



MFB12032



Size : 120 x 120 x 32 mm
 Bearing system: BALL, SLEEVE
 Frame: plastic PBT UL94V-0
 Impeller: plastic PBT UL94V-0
 Operating Temp :
 BALL: -10 ~ 70°C
 Sleeve: -10 ~ 70°C
 Life Expectancy
 BALL: 50,000 hours at 25°C
 SLEEVE : 25,000 hours at 25°C
 Weight: 220 g

Bearing system

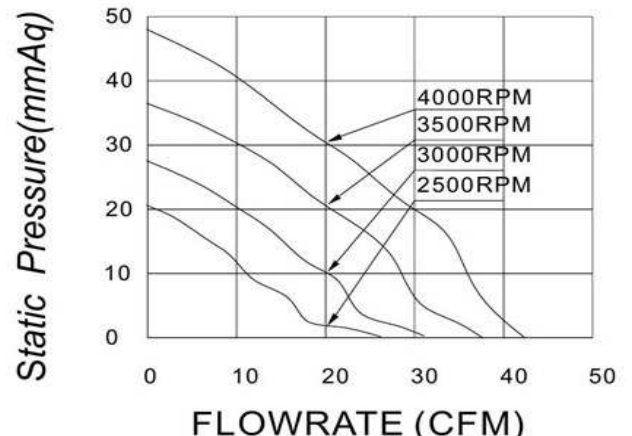
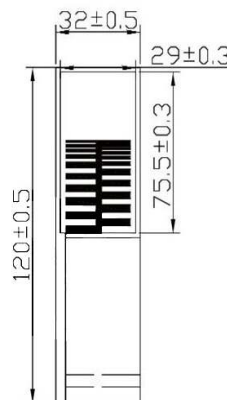
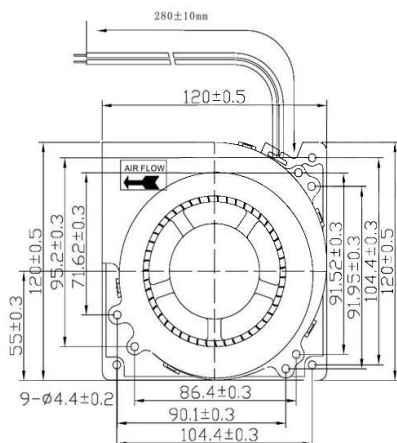
BALL	SLEEVE
●	●

Available Functions

FG	PWM	RD	LD
●	●	●	●

MODEL	Rated Voltage	Operating Voltage Range	Rated Current	Rated Input Power	Speed	Maximun Air Flow	Maimun Air Pressure	Noise
PART NO.	VDC	VDC	Amp	Watt	R.P.M	CFM	mmH2O	DB-A
MFB12032D1-L	12	6.0 ~ 13.5	0.5	6	2500	26.5	20.25	48.2
MFB12032D1-M			0.65	7.8	3000	31.9	27.47	51.9
MFB12032D1-H			1.7	20.1	3500	36.9	35.92	55.6
MFB12032D1-HH			2.2	26.4	4000	41.9	48.47	59.9
MFB12032D2-L	24	18 ~ 26.5	0.25	6	2500	26.5	20.25	48.2
MFB12032D2-M			0.33	8	3000	31.9	27.47	51.9
MFB12032D2-H			0.55	13.2	3500	36.9	35.92	55.6
MFB12032D2-HH			1.1	26.4	4000	41.9	48.47	59.9
MFB12032D4-L	48	36 ~ 55	0.13	6	2500	26.5	20.25	48.2
MFB12032D4-M			0.28	13.2	3000	31.9	27.47	51.9
MFB12032D4-H			0.42	20.1	3500	36.9	35.92	55.6
MFB12032D4-HH			0.55	26.4	4000	41.9	48.47	59.9

DIMENSIONS DRAWING & P&Q CURVE



MFB12032B



Size : 120 x 120 x 32 mm
 Bearing system: BALL, SLEEVE
 Frame: plastic PBT UL94V-0
 Impeller: plastic PBT UL94V-0
 Operating Temp :
 BALL: -10 ~ 70°C
 Sleeve: -10 ~ 70°C
 Life Expectancy
 BALL: 50,000 hours at 25°C
 SLEEVE : 25,000 hours at 25°C
 Weight: 220 g

Bearing system

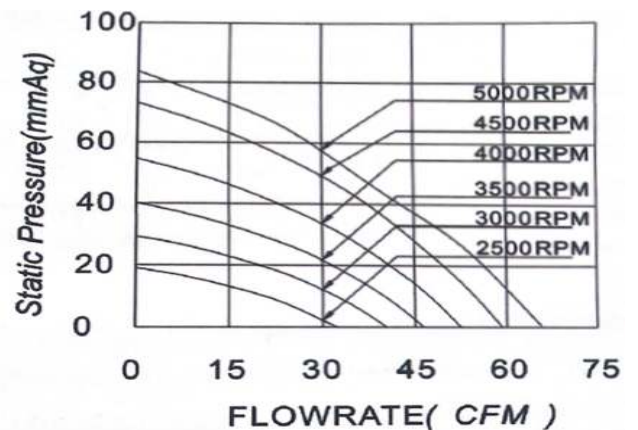
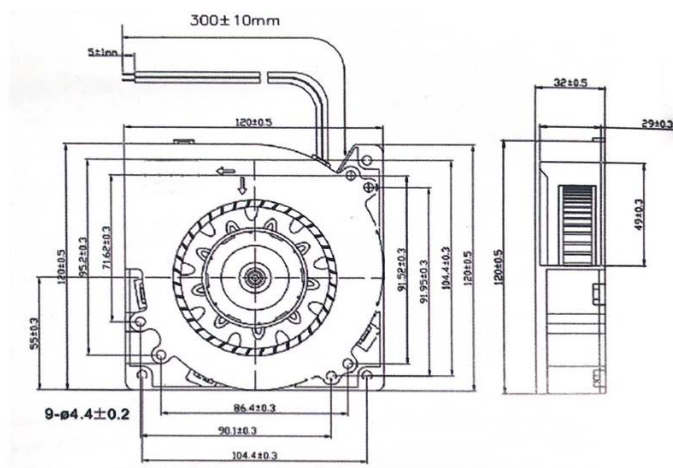
BALL	SLEEVE
●	●

Available Functions

FG	PWM	RD	LD
●	●	●	●

MODEL	Rated Voltage	Operating Voltage Range	Rated Current	Rated Input Power	Speed	Maximum Air Flow	Maximum Air Pressure	Noise
PART NO.	VDC	VDC	Amp	Watt	R.P.M	CFM	mmH2O	DB-A
MFB12032BD1-L	12	6.0 ~ 13.5	0.8	6	2500	32.35	18.98	50.4
MFB12032BD1-M			1.4	7.8	3000	40.35	29.28	52.3
MFB12032BD1-H			1.8	20.1	3500	46.38	40.17	58.3
MFB12032BD1-HH			2.4	26.4	4000	52.44	54.63	59
MFB12032BD1-VH			3	36	4500	59.32	73.11	62.2
MFB12032BD1-HV			3.6	43.2	5000	65.96	83.6	64.7
MFB12032BD2-L	24	18 ~ 26.5	0.4	9.6	2500	32.35	18.98	50.4
MFB12032BD2-M			0.7	16.8	3000	40.35	29.28	52.3
MFB12032BD2-H			0.9	21.6	3500	46.38	40.17	58.3
MFB12032BD2-HH			1.2	28.8	4000	52.44	54.63	59
MFB12032BD2-VH			1.5	36	4500	59.32	73.11	62.2
MFB12032BD2-HV			1.8	43.2	5000	65.96	83.6	64.7
MFB12032BD4-L	48	36 ~ 55	0.2	9.6	2500	32.35	18.98	50.4
MFB12032BD4-M			0.35	16.8	3000	40.35	29.28	52.3
MFB12032BD4-H			0.45	21.6	3500	46.38	40.17	58.3
MFB12032BD4-HH			0.6	28.8	4000	52.44	54.63	59
MFB12032BD4-VH			0.75	36	4500	59.32	73.11	62.2
MFB12032BD4-HV			0.9	43.2	5000	65.96	83.6	64.7

DIMENSIONS DRAWING & P&Q CURVE



MFB14040



Size : 140 x 140 x 40 mm
 Bearing system: BALL, SLEEVE
 Frame: plastic PBT UL94V-0
 Impeller: plastic PBT UL94V-0
 Operating Temp :
 BALL: -10 ~ 70°C
 Sleeve: -10 ~ 70°C
 Life Expectancy
 BALL: 50,000 hours at 25°C
 SLEEVE : 25,000 hours at 25°C
 Weight: 353 g

Bearing system

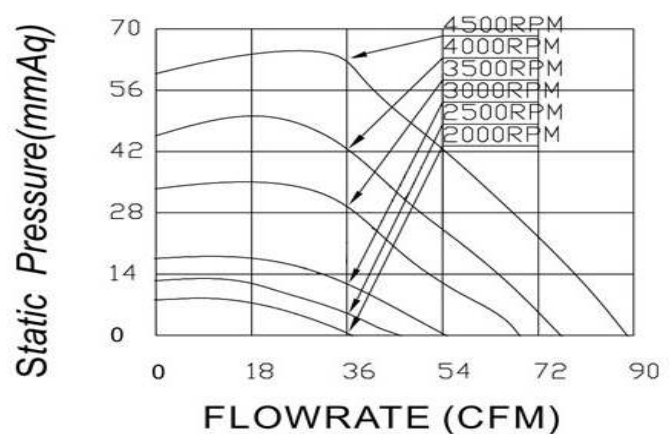
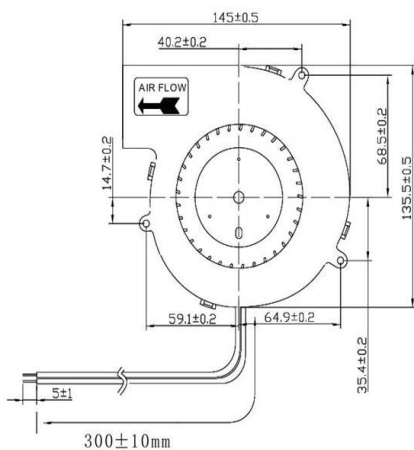
BALL	SLEEVE
●	●

Available Functions

FG	PWM	RD	LD
●	●	●	●

MODEL	Rated Voltage	Operating Voltage Range	Rated Current	Rated Input Power	Speed	Maximum Air Flow	Maximum Air Pressure	Noise
PART NO.	VDC	VDC	Amp	Watt	R.P.M	CFM	mmH2O	DB-A
MFB14040D1-L	12	7.0 ~ 13.5	0.45	6	2000	37.3	8.2	56
MFB14040D1-M			1.4	16.8	2500	45.7	12.19	64.2
MFB14040D1-H			2.3	27.6	3000	54.7	17.74	65.7
MFB14040D1-HH			3.2	38.4	3500	68	33.75	68.9
MFB14040D1-VH			4.2	50.4	4000	76.4	45.48	70
MFB14040D1-HV	4.6	61.2	4500	87.9	59.15	71.9		
MFB14040D2-L	24	18 ~ 26.5	0.25	6	2000	37.3	8.2	56
MFB14040D2-M			0.7	16.8	2500	45.7	12.19	64.2
MFB14040D2-H			0.75	27.6	3000	54.7	17.74	65.7
MFB14040D2-HH			1.2	38.4	3500	68	33.75	68.9
MFB14040D2-VH			1.6	50.4	4000	76.4	45.48	70
MFB14040D2-HV	2.7	61.2	4500	87.9	59.15	71.9		
MFB14040D4-L	48	36 ~ 55	0.125	6	2000	37.3	8.2	56
MFB14040D4-M			0.35	16.8	2500	45.7	12.19	64.2
MFB14040D4-H			0.575	27.6	3000	54.7	17.74	65.7
MFB14040D4-HH			0.8	38.4	3500	68	33.75	68.9
MFB14040D4-VH			1.05	50.4	4000	76.4	45.48	70
MFB14040D4-HV	1.275	61.2	4500	87.9	59.15	71.9		

DIMENSIONS DRAWING & P&Q CURVE



MFB18085



Size : 180 x 180 x 85 mm
 Bearing system: BALL,
 Frame: plastic PBT UL94V-0
 Impeller: plastic PBT UL94V-0
 Operating Temp :
 BALL: -10 ~ 70°C
 Life Expectancy
 BALL: 50,000 hours at 25°C
 Weight: 70 g

Bearing system

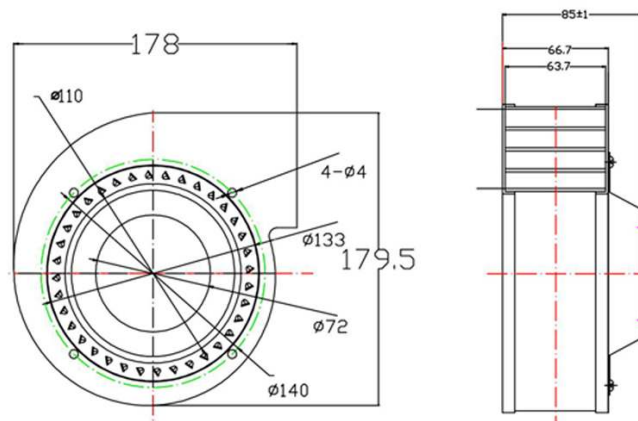
BALL	SLEEVE
●	●

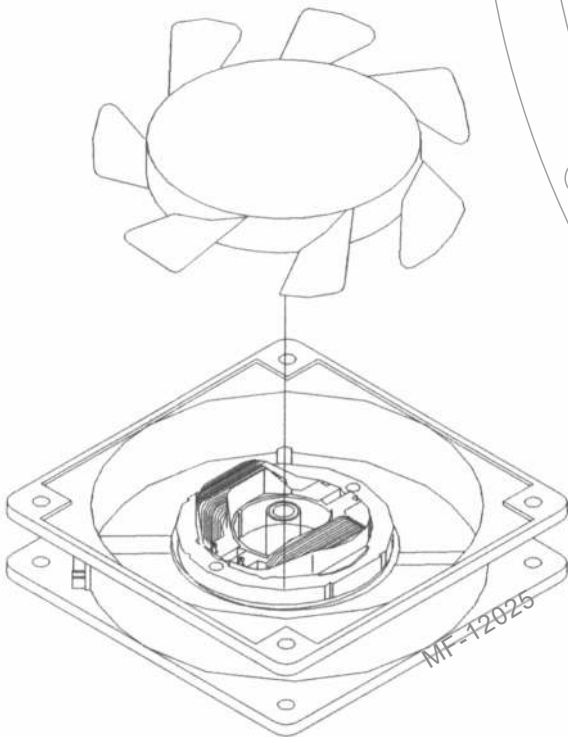
Available Functions

FG	PWM	RD	LD
●	●	●	●

MODEL	Rated Voltage	Operating Voltage Range	Rated Current	Rated Input Power	Speed	Maximun Air Flow	Maimun Air Pressure	Noise
PART NO.	VDC	VDC	Amp	Watt	R.P.M	CFM	mmH2O	DB-A
MFB18085D2-MB	24	6-27.6	2.55	61.2	2200	175.25	39.54	64.2

DIMENSIONS DRAWING & P&Q CURVE





Max-Flow Electric Machinery Co., Ltd.

Email: ian@max-flow.com

shubham@max-flow.in

Tel:886-2-85218198 Fax:886-2-85218201

Address:No.19, Ln. 349, Huacheng Rd., Xinzhuang Dist., New Taipei City 242, Taiwan (R.O.C.)