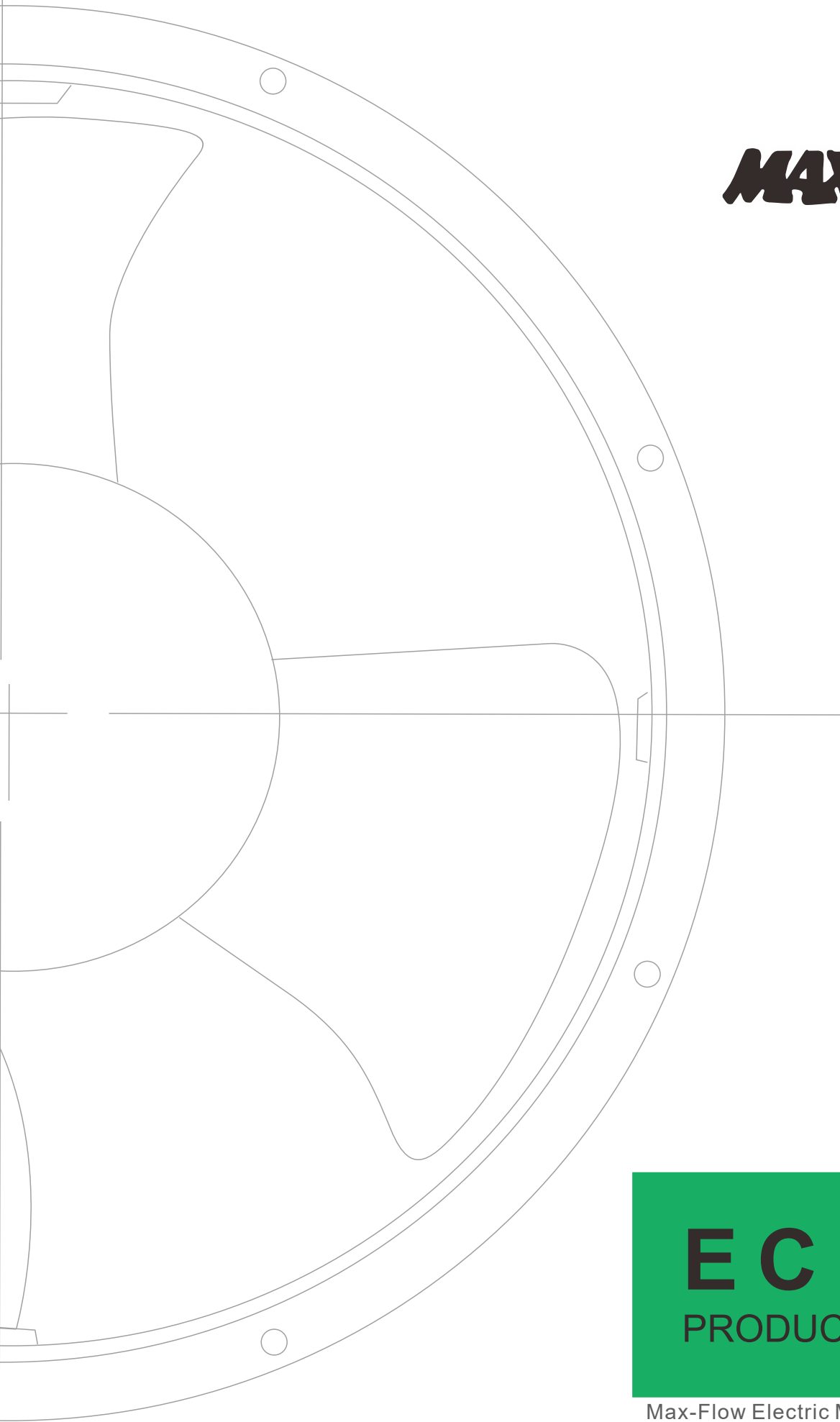




MAX FLOW®



EC FAN
PRODUCT GUIDE

Max-Flow Electric Machinery Co., Ltd.

MFE6025



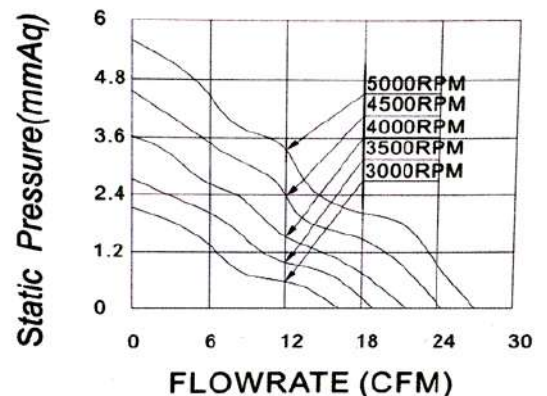
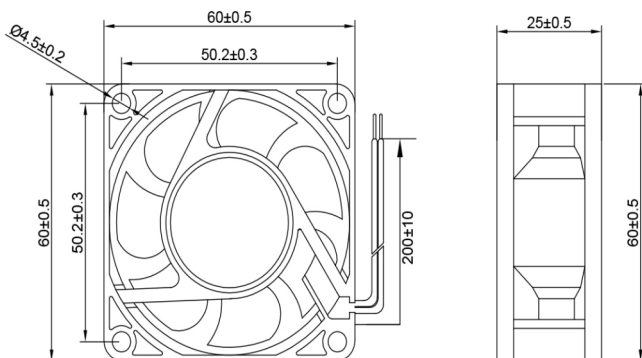
Size : 60x 60 x 25mm
 Bearing system: BALL, Sleeve
 Frame: plastic PBT UL94V-0
 Impeller: plastic PBT UL94V-0
 Operating Temp :
 BALL: -10 ~ 70°C
 Sleeve: -10 ~ 70°C
 Life Expectancy
 Ball : 50,000 hours at 25°C
 Sleeve: 25,000 hours at 25°C
 Weight: 60 g

Bearing system

BALL	SLEEVE
●	●

MODEL	Rated Voltage	Operating Voltage Range	Rated Input Power	Speed	Maximun Air Flow	Maximun Air Pressure	Noise
PART NO.	VAC	VDC	Watt	R.P.M	CFM	mmH2O	DB-A
MFE6025-L	220	80-230	1.2	3000	15.7	2.12	27.2
MFE6025-LM			2	3500	18.9	2.76	30.7
MFE6025-M			2.4	4000	21.5	3.64	34.3
MFE6025-H			3	4500	24.3	4.63	37.7

DIMENSIONS DRAWING & P&Q CURVE



MFE8025



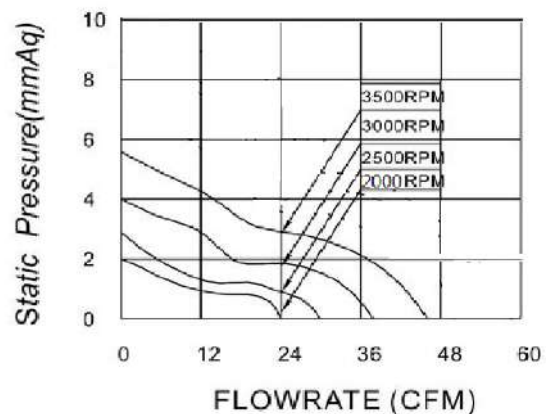
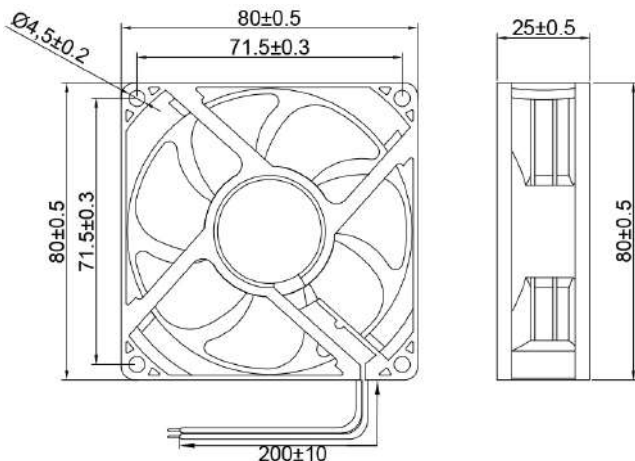
Size : 80x 80 x 25mm
 Bearing system: BALL, Sleeve
 Frame: plastic PBT UL94V-0
 Impeller: plastic PBT UL94V-0
 Operating Temp :
 BALL: -10 ~ 70°C
 Sleeve: -10 ~ 70°C
 Life Expectancy
 Ball : 50,000 hours at 25°C
 Sleeve: 25,000 hours at 25°C
 Weight: 85 g

Bearing system

BALL	SLEEVE
●	●

MODEL	Rated Voltage	Operating Voltage Range	Rated Input Power	Speed	Maximum Air Flow	Maximum Air Pressure	Noise
PART NO.	VAC	VDC	Watt	R.P.M	CFM	mmH ₂ O	DB-A
MFE8025-L	220	80-230	6.6	2000	24.4	2	25.8
MFE8025-M			6.6	2500	31.4	2.8	29.1
MFE8025-H			8.8	3000	37.9	4	34.2
MFE8025-HH			8.8	3500	44.3	5.3	36.9

DIMENSIONS DRAWING & P&Q CURVE



MFE8038



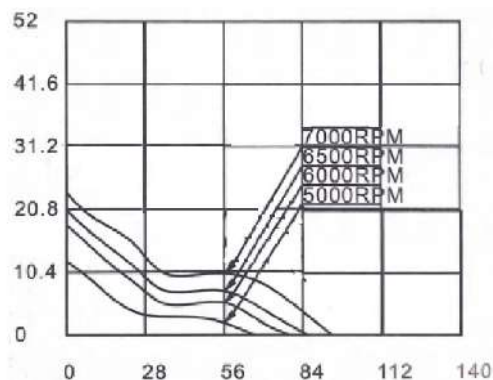
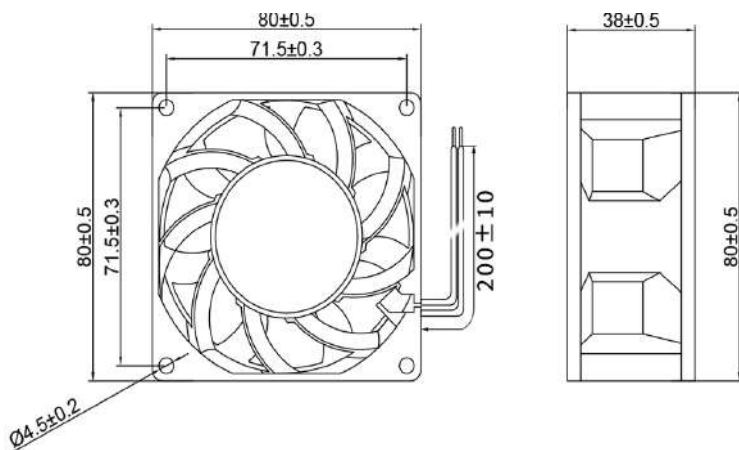
Size : 80x 80 x 38mm
 Bearing system: BALL, Sleeve
 Frame: plastic PBT UL94V-0
 Impeller: plastic PBT UL94V-0
 Operating Temp :
 BALL: -10 ~ 70°C
 Sleeve: -10 ~ 70°C
 Life Expectancy
 Ball : 50,000 hours at 25°C
 Sleeve: 25,000 hours at 25°C
 Weight: 175 g

Bearing system

BALL	SLEEVE
●	●

MODEL	Rated Voltage	Operating Voltage Range	Rated Input Power	Speed	Maximun Air Flow	Maximun Air Pressure	Noise
PART NO.	VAC	VDC	Watt	R.P.M	CFM	mmH2O	DB-A
MFE8038-L	220	80-230	6.6	5000	66.46	12.65	46.6
MFE8038-M			6.6	6000	79.11	18.22	51.4
MFE8038-H			8.8	6500	85.32	20.49	54
MFE8038-HH			8.8	7000	93.31	24.53	57.1

DIMENSIONS DRAWING & P&Q CURVE



MFE9225



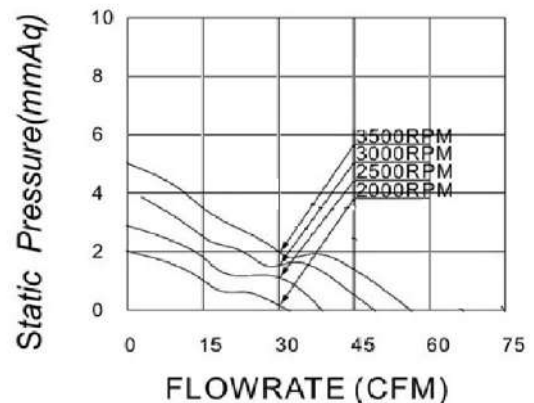
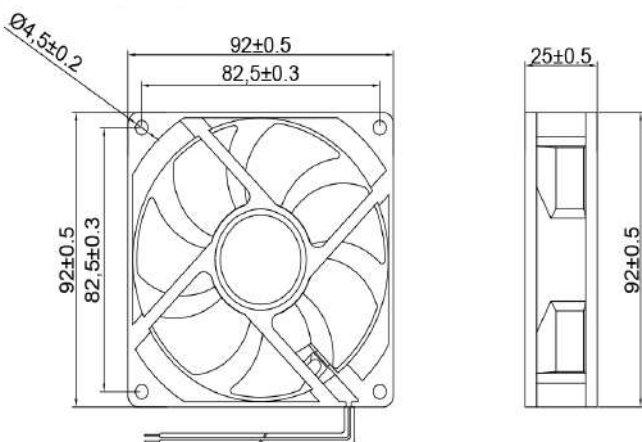
Size : 92x 92 x 25mm
 Bearing system: BALL, Sleeve
 Frame: plastic PBT UL94V-0
 Impeller: plastic PBT UL94V-0
 Operating Temp :
 BALL: -10 ~ 70°C
 Sleeve: -10 ~ 70°C
 Life Expectancy
 Ball : 50,000 hours at 25°C
 Sleeve: 25,000 hours at 25°C
 Weight: 105 g

Bearing system

BALL	SLEEVE
●	●

MODEL	Rated Voltage	Operating Voltage Range	Rated Input Power	Speed	Maximum Air Flow	Maximum Air Pressure	Noise
PART NO.	VAC	VDC	Watt	R.P.M	CFM	mmH ₂ O	DB-A
MFE9225-L	220	80-230	1.8	2000	31.9	2.01	27.5
MFE9225-M			2.2	2500	38.3	2.92	33.7
MFE9225-H			3.1	3000	49	4.11	39.1
MFE9225-HH			4.2	3500	54.8	4.99	42.4

DIMENSIONS DRAWING & P&Q CURVE



MFE9238



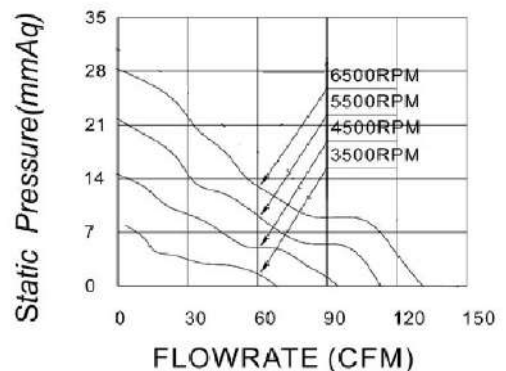
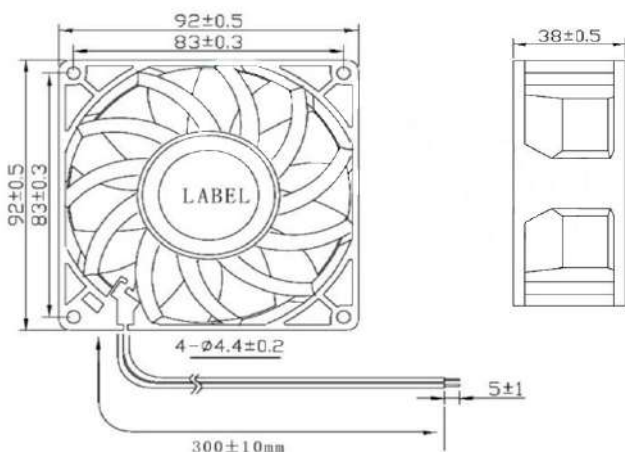
Size : 92x 92 x 38mm
 Bearing system: BALL, Sleeve
 Frame: plastic PBT UL94V-0
 Impeller: plastic PBT UL94V-0
 Operating Temp :
 BALL: -10 ~ 70°C
 Sleeve: -10 ~ 70°C
 Life Expectancy
 Ball : 50,000 hours at 25°C
 Sleeve: 25,000 hours at 25°C
 Weight: 180 g

Bearing system

BALL	SLEEVE
●	●

MODEL	Rated Voltage	Operating Voltage Range	Rated Input Power	Speed	Maximum Air Flow	Maximum Air Pressure	Noise
PART NO.	VAC	VDC	Watt	R.P.M	CFM	mmH2O	DB-A
MFE9238-L	220	80-230	3.5	3500	70.86	8.25	48
MFE9238-M			4	4500	94.09	14.26	55.1
MFE9238-H			4.3	5500	112.02	20.24	61.5
MFE9238-HH			4.7	6500	133.04	24.87	65.6

DIMENSIONS DRAWING & P&Q CURVE



MFE12025



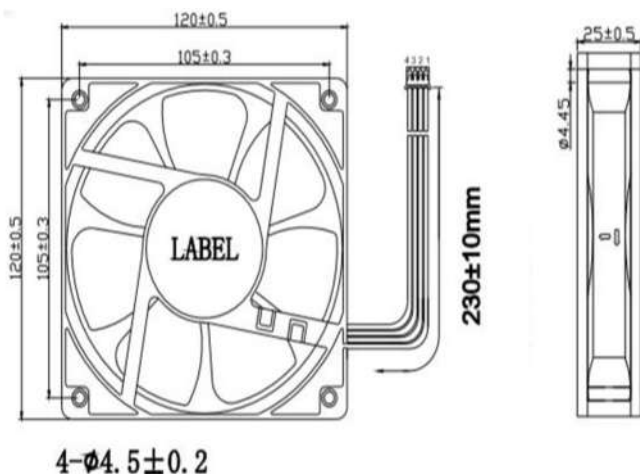
Size : 120x 120 x 25mm
 Bearing system: BALL, Sleeve
 Frame: plastic PBT UL94V-0
 Impeller: plastic PBT UL94V-0
 Operating Temp :
 BALL: -10 ~ 70°C
 Sleeve: -10 ~ 70°C
 Life Expectancy
 Ball : 50,000 hours at 25°C
 Sleeve: 25,000 hours at 25°C
 Weight: 180 g

Bearing system

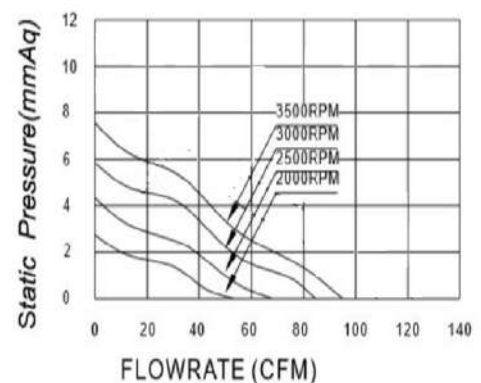
BALL	SLEEVE
●	●

MODEL	Rated Voltage	Operating Voltage Range	Rated Input Power	Speed	Maximun Air Flow	Maximun Air Pressure	Noise
PART NO.	VAC	VDC	Watt	R.P.M	CFM	mmH2O	DB-A
MFE12025-L	220	80-230	3.2	2000	54.19	2.81	33.3
MFE12025-M			3.2	2500	67.49	4.25	41.3
MFE12025-H			3.2	3000	82.86	5.92	46.1
MFE12025-HH			6.4	3500	95.13	7.56	50.6

DIMENSIONS DRAWING & P&Q CURVE



UNIT: $\frac{\text{mm}}{\text{(INCH)}}$



MFE12038



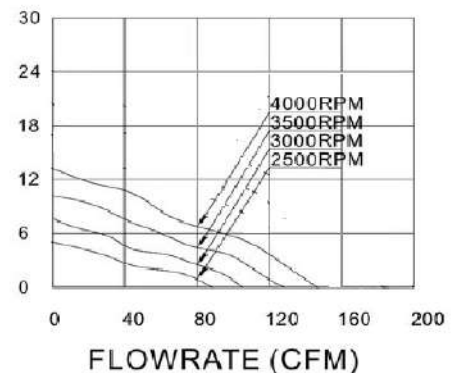
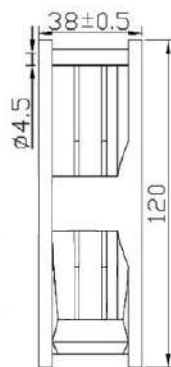
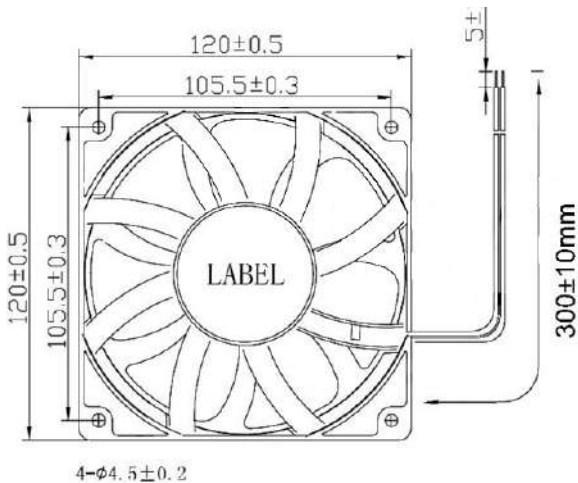
Size : 120x 120 x 38mm
 Bearing system: BALL, Sleeve
 Frame: plastic PBT UL94V-0
 Impeller: plastic PBT UL94V-0
 Operating Temp :
 BALL: -10 ~ 70°C
 Sleeve: -10 ~ 70°C
 Life Expectancy
 Ball : 50,000 hours at 25°C
 Sleeve: 25,000 hours at 25°C
 Weight: 310 g

Bearing system

BALL	SLEEVE
●	●

MODEL	Rated Voltage	Operating Voltage Range	Rated Input Power	Speed	Maximun Air Flow	Maximun Air Pressure	Noise
PART NO.	VAC	VDC	Watt	R.P.M	CFM	mmH2O	DB-A
MFE12038-L	220	80-230	3.2	2500	96.55	5.91	43.4
MFE12038-M			3.2	3000	111.26	8.66	47.7
MFE12038-H			3.2	3500	132.14	11.94	52.8
MFE12038-HH			6.4	4000	152.89	15.46	54.5

DIMENSIONS DRAWING & P&Q CURVE



MFE17251



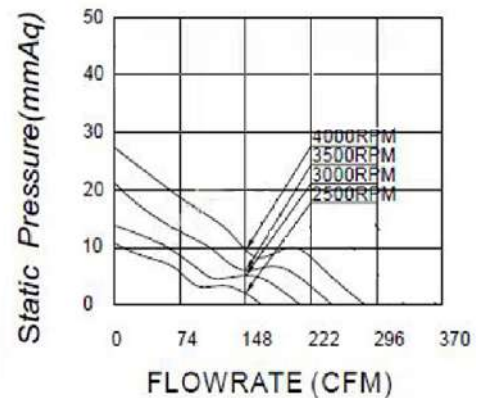
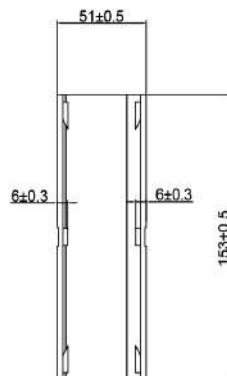
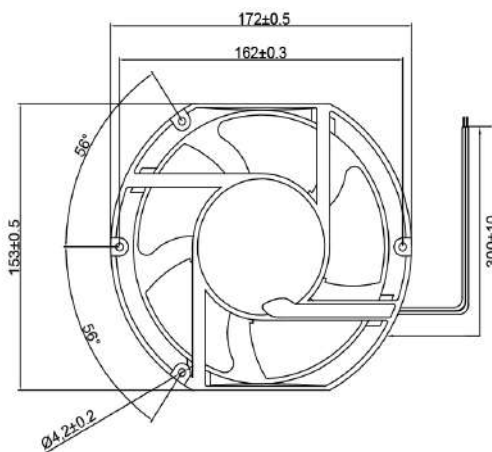
Size : 172x 150 x 51mm
 Bearing system: BALL
 Frame: aluminum
 Impeller: plastic PBT UL94V-0
 Operating Temp :
 BALL: -10 ~ 70°C
 Life Expectancy
 Ball : 50,000 hours at 25°C
 Weight: 1000 g

Bearing system

BALL	SLEEVE
●	

MODEL	Rated Voltage	Operating Voltage Range	Rated Input Power	Speed	Maximun Air Flow	Maximun Air Pressure	Noise
PART NO.	VAC	VDC	Watt	R.P.M	CFM	mmH2O	DB-A
MFE17251-L	220	80-230	22	2500	172.21	10.92	56.1
MFE17251-M			22	3000	209.4	15.33	58.3
MFE17251-H			26.4	3500	248	21.33	62.5
MFE17251-HH			32	4000	283	27.36	65.5

DIMENSIONS DRAWING & P&Q CURVE



MFE20060



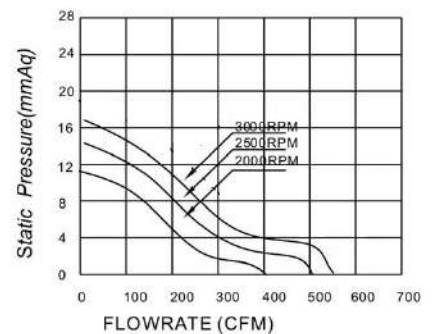
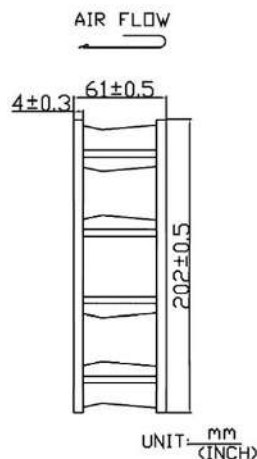
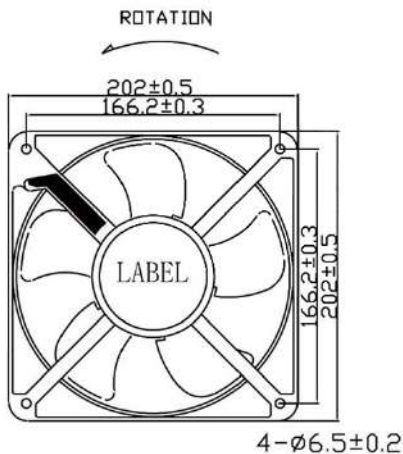
Size : 200x 200 x 60mm
 Bearing system: BALL
 Frame: aluminum
 Impeller: plastic PBT UL94V-0
 Operating Temp :
 BALL: -10 ~ 70°C
 Life Expectancy
 Ball : 50,000 hours at 25°C
 Weight: 1600 g

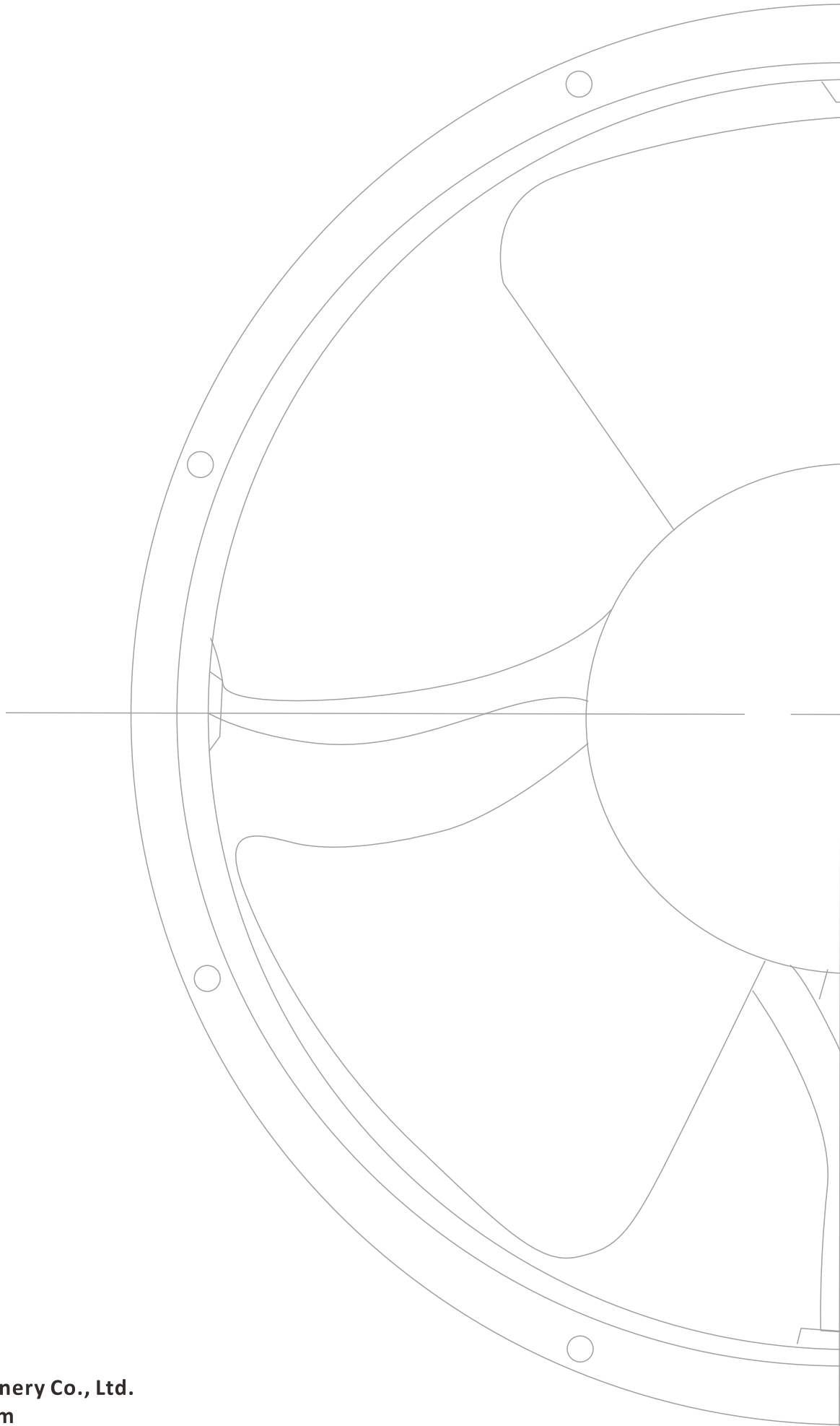
Bearing system

BALL	SLEEVE
●	

MODEL	Rated Voltage	Operating Voltage Range	Rated Input Power	Speed	Maximun Air Flow	Maximun Air Pressure	Noise
PART NO.	VAC	VDC	Watt	R.P.M	CFM	mmH2O	DB-A
MFE20060-L	220	80-230	19.8	2000	400.58	6365	54.6
MFE20060-M			35	2500	513.39	12.15	60
MFE20060-H			56.7	3000	586.69	17.28	63.6

DIMENSIONS DRAWING & P&Q CURVE





Max-Flow Electric Machinery Co., Ltd.

Email: ian@max-flow.com

shubham@max-flow.in

Tel:886-2-85218198 Fax:886-2-85218201

Address:No.19, Ln. 349, Huacheng Rd., Xinzhuang Dist., New Taipei City 242, Taiwan (R.O.C.)