

MFE12025



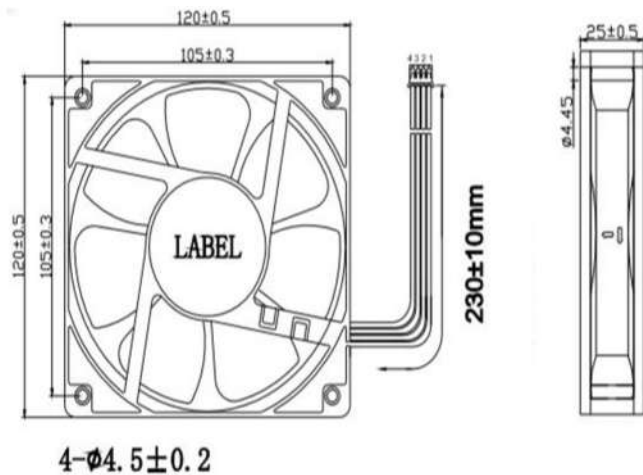
Size : 120x 120 x 25mm
 Bearing system: BALL, Sleeve
 Frame: plastic PBT UL94V-0
 Impeller: plastic PBT UL94V-0
 Operating Temp :
 BALL: -10 ~ 70°C
 Sleeve: -10 ~ 70°C
 Life Expectancy
 Ball : 50,000 hours at 25°C
 Sleeve: 25,000 hours at 25°C
 Weight: 180 g

Bearing system

BALL	SLEEVE
●	●

MODEL	Rated Voltage	Operating Voltage Range	Rated Input Power	Speed	Maximun Air Flow	Maximun Air Pressure	Noise
PART NO.	VAC	VDC	Watt	R.P.M	CFM	mmH2O	DB-A
MFE12025-L	220	80-230	3.2	2000	54.19	2.81	33.3
MFE12025-M			3.2	2500	67.49	4.25	41.3
MFE12025-H			3.2	3000	82.86	5.92	46.1
MFE12025-HH			6.4	3500	95.13	7.56	50.6

DIMENSIONS DRAWING & P&Q CURVE



UNIT: $\frac{\text{mm}}{\text{(INCH)}}$

