

MFL13391



Size : Ø 133 x 91 mm
 Bearing system: BALL, SLEEVE
 Frame: plastic PBT UL94V-0
 Impeller: plastic PBT UL94V-0
 Operating Temp :
 Sleeve: -10 ~ 70°C
 Life Expectancy
 BALL : 50,000 hours at 25°C
 SLEEVE : 25,000 hours at 25°C
 Weight: 132 g

Bearing system

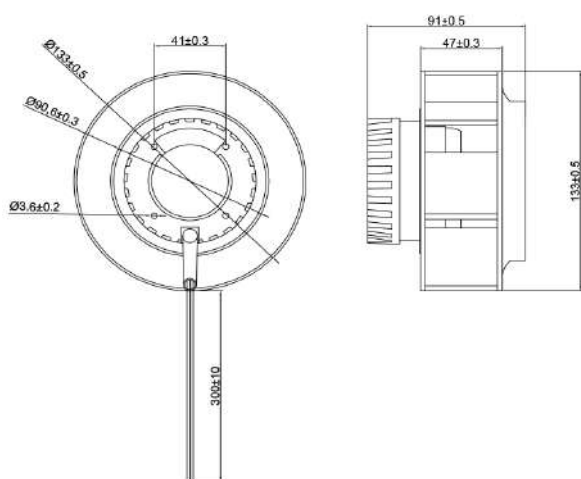
BALL	SLEEVE
●	●

Available Functions

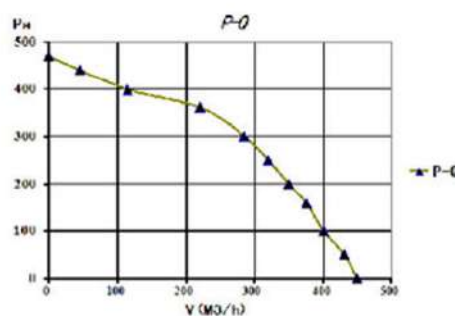
FG	PWM	RD	LD
●	●	●	●

MODEL	Rated Voltage	Operating Voltage Range	Rated Current	Rated Input Power	Speed	Maximun Air Flow		Maximun Air Pressure		Noise
PART NO.	VDC	VDC	Amp	Watt	R.P.M	m3/min	CFM	mmH2O	INH2O	DB-A
MFL13391D2-HB	24	18-26	1.1	26.4	3800	370	218	41.8	1.65	62.5
MFL13391D4-HB	48	44-52	0.6	28.8	3800	370	218	41.8	1.65	62.5

DIMENSIONS DRAWING & P&Q CURVE



Static Pressure(mmAq)



FLOWRATE (CFM)